

# YAMAHA

## PARTS CATALOGUE

**XT600Z'85 (55W)**

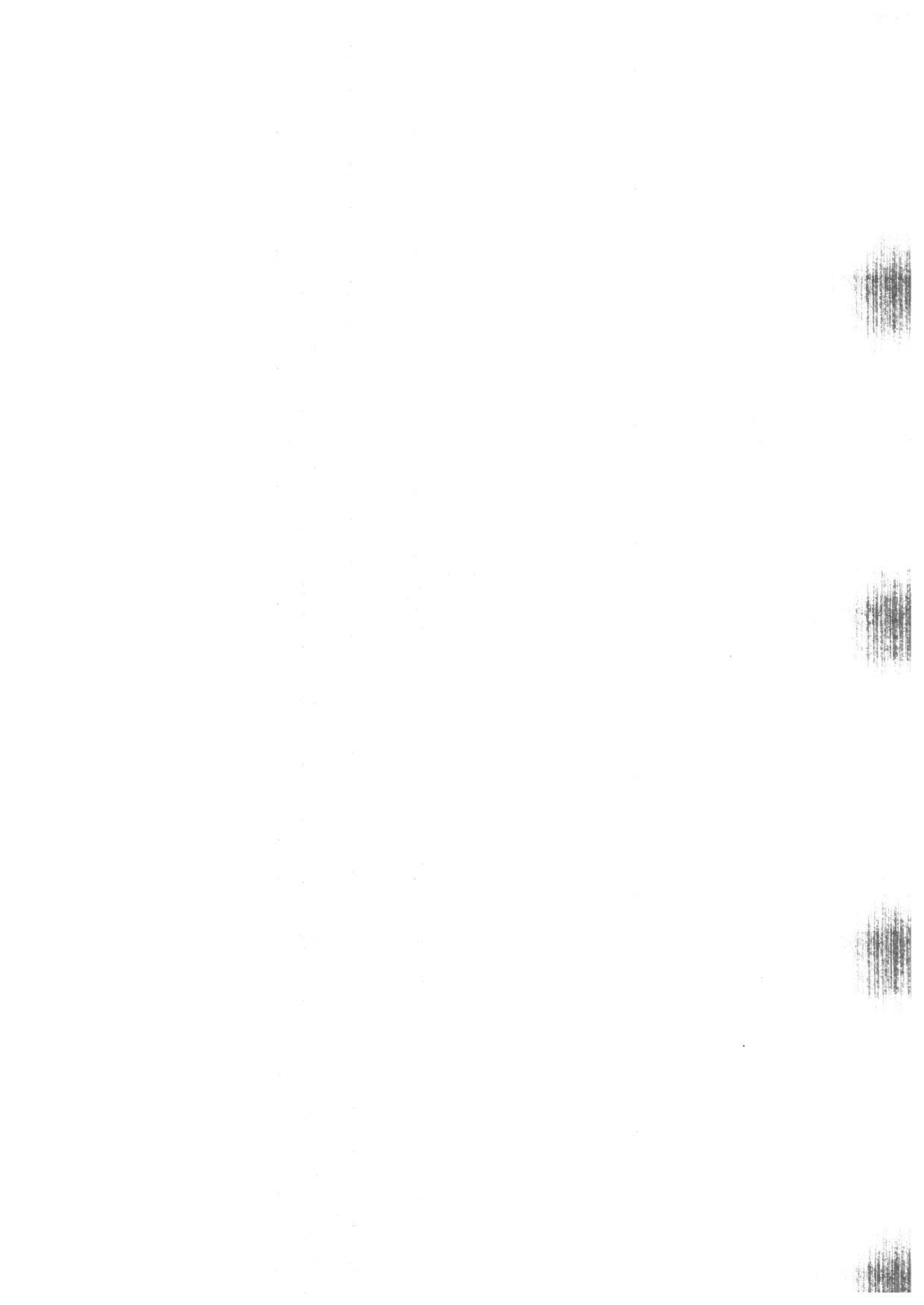
**EUROPE**

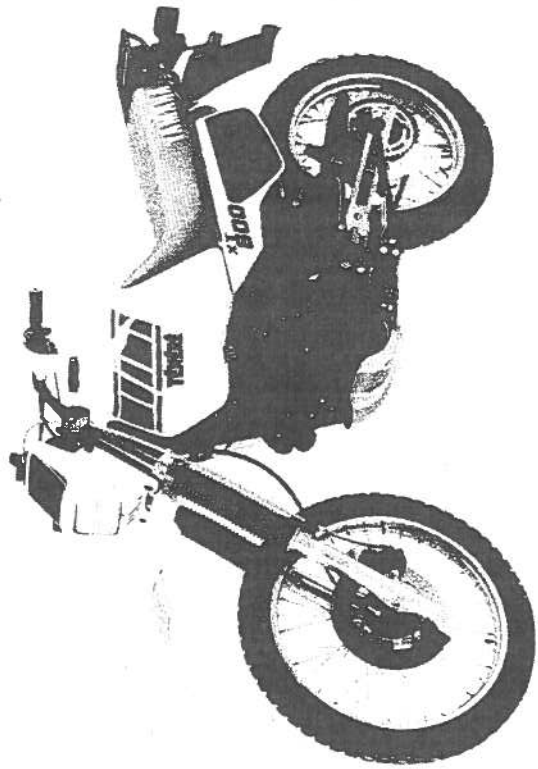
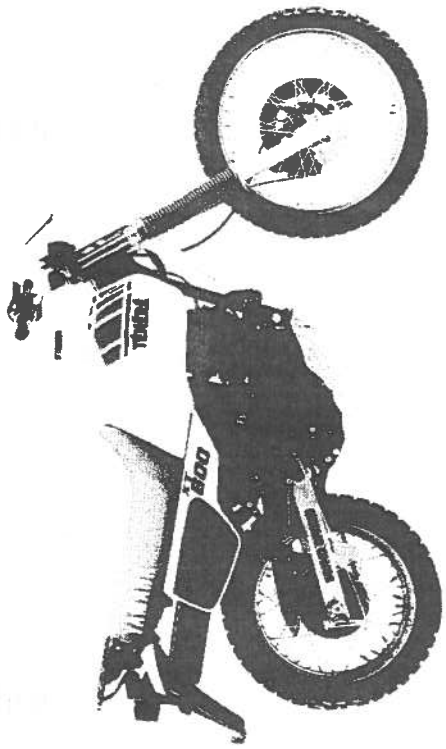
**XT600Z'85 (1EN)**

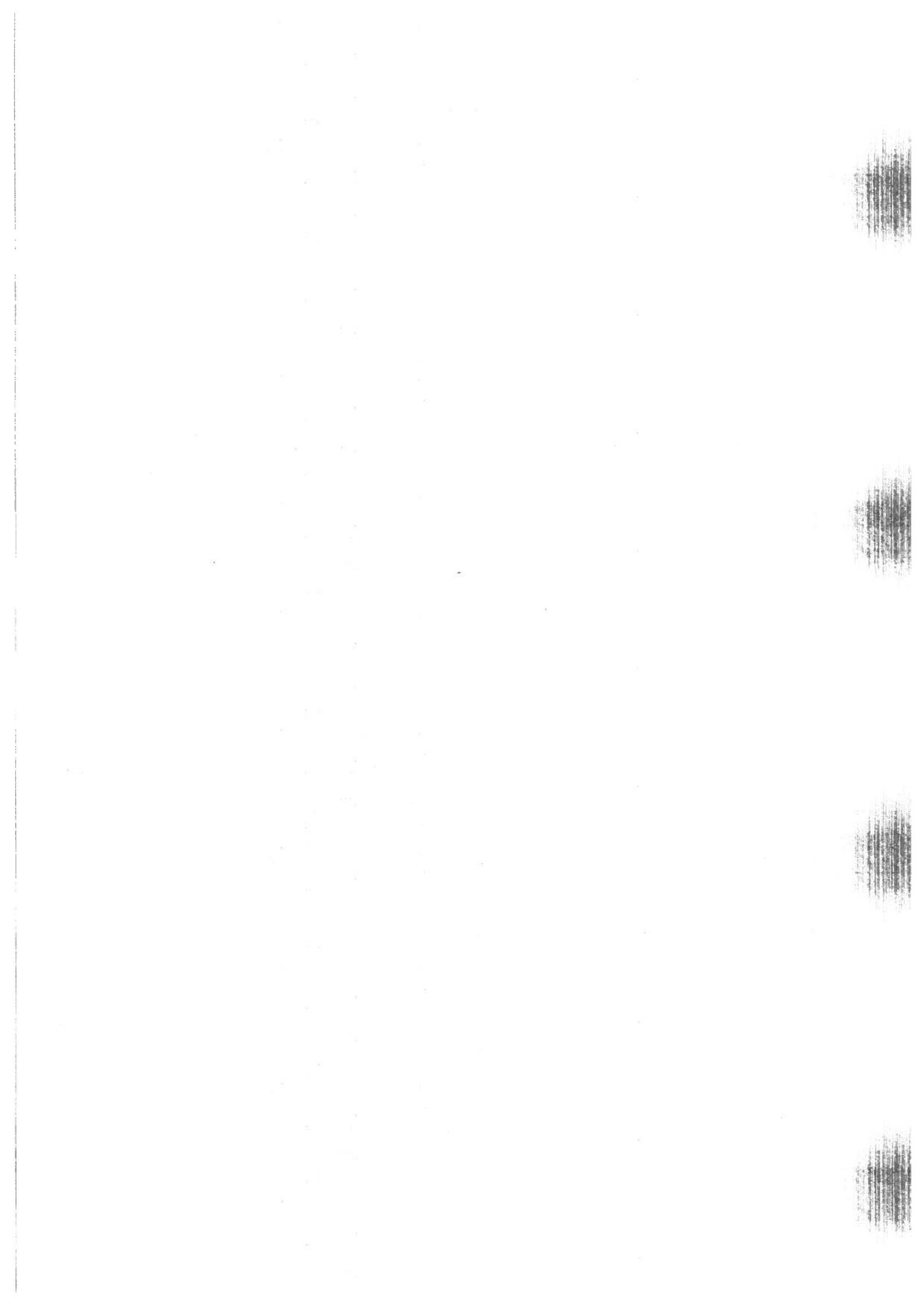
**SWITZERLAND**

1555W-300E1

---







# FOREWORD

This Parts Catalogue is related to the parts in use for the Yamaha XT600Z'85 (55W/1EN). When you are ordering replacement parts for the XT600Z'85 (55W/1EN), refer to this Parts Catalogue and quote both part numbers and part names correctly.

1. Modifications or additions which have been made after issue of the Parts Catalogue will be announced in the Yamaha Parts News. It is advisable that according to the Yamaha Parts News you make necessary corrections to the Parts Catalogue on hand to keep it up-to-date.

## 2. Abbreviations

The following abbreviations are used in this Parts Catalogue.

- U.R. Use size (thickness) and/or number as required.
- U.N. Use as many as you need.
- A.P. Alternate Parts
- L.M. Local Made
- F# Frame No. (Applicable machine No.)

3. The parts marked with ( \* ) in the parts number column of this Catalogue are not supplied with by Yamaha, those have to be found locally.

4. Parts, which are to be supplied in the form of assemblies, are listed with an indentation of one letter's space, and a dot ( . ) is put against the name of each part.

**EXAMPLE**  
CARBURETOR ASS'Y

. JET, pilot

. NOZZLE, main

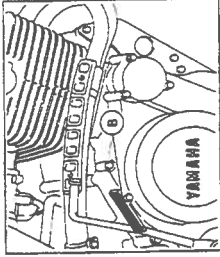
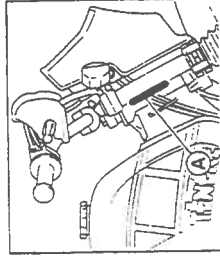
5. Indication of No. of constituent parts for assembly  
The numeral appearing to the right of each constituent part under the description indicates the quantity of such parts for each individual assembly unit.

**EXAMPLE**

Part No.	Description	Q'ty	Remarks
2F5-83310-60	FRONT FLASHER LIGHT ASS'Y	2	
115-83311-60	BULB (6V-18W)	1	
1M1-83309-60	REFLECTOR	1	

## 6. Initial Serial No. and Color Code

<b>55W</b>	(A) Frame Serial No.	55W-000101 and following
	(B) Engine Serial No.	55W-000101 and following
<b>1EN</b>	(A) Frame Serial No.	47N-002101 and following
	(B) Engine Serial No.	47N-002101 and following



Color Code	Color Name	Abbreviate
36	CLEAN WHITE	W
G8	SKY BLUE	SYB

7. Applicable colors of graphics are represented in the "Remarks" column by the letter(s) appropriately picked out of the full word(s) showing such colors.

**EXAMPLE**

Part No.	Description	Q'ty	Remarks
ZN4-24110-00-X5	FUEL TANK COMP.	1	MAXIM RED
3J1-24240-10	GRAPHIC, fuel tank set	1	for MXR

# CONTENTS

## GENERAL SPEC.

### ENGINE

Fig. 1	CYLINDER HEAD	1
Fig. 2	CYLINDER	3
Fig. 3	CRANKSHAFT - PISTON	4
Fig. 4	VALVE	6
Fig. 5	CAMSHAFT - CHAIN	7
Fig. 6	OIL PUMP	8
Fig. 7	INTAKE	10
Fig. 8	CARBURETOR	11
Fig. 9	EXHAUST	14
Fig. 10	CRANKCASE	15
Fig. 11	CRANKCASE COVER 1	16
Fig. 12	STARTER	18
Fig. 13	CLUTCH	20
Fig. 14	TRANSMISSION	22
Fig. 15	SHIFT CAM - FORK	24
Fig. 16	SHIFT SHAFT	25

### CHASSIS

Fig. 17	FRAME	26
Fig. 18	FENDER	28
Fig. 19	SIDE COVER	29
Fig. 20	REAR ARM	31
Fig. 21	REAR SUSPENSION	33
Fig. 22	STEERING	34
Fig. 23	FRONT FORK	36

Fig. 24	FUEL TANK	39
Fig. 25	SEAT	40
Fig. 26	FRONT WHEEL	41
Fig. 27	REAR WHEEL	43
Fig. 28	STEERING HANDLE - CABLE	45
Fig. 29	STAND - FOOTREST	47
Fig. 30	COWLING 1	49
Fig. 31	GENERATOR	50
Fig. 32	FLASHER LIGHT	51
Fig. 33	METER	52
Fig. 34	HEADLIGHT	53
Fig. 35	TAILLIGHT	54
Fig. 36	HANDLE SWITCH - LEVER	55
Fig. 37	ELECTRICAL 1	56
Fig. 38	ELECTRICAL 2	57

## INDIVIDUAL SPEC.

### FOR ENGLAND

Fig. 39	ELECTRICAL	62
---------	------------	----

### FOR SWEDEN, DENMARK, NORWAY

Fig. 40	ENGINE	64
Fig. 41	CHASSIS	65
Fig. 42	ELECTRICAL	66

### FOR AUSTRIA

Fig. 43	ENGINE	68
Fig. 44	CHASSIS	69
Fig. 45	ELECTRICAL	70

### FOR SWITZERLAND

Fig. 46	ENGINE 1	72
Fig. 47	ENGINE 2 (CARBURETOR)	73
Fig. 48	CHASSIS	76
Fig. 49	ELECTRICAL	77

## INDEX (GENERAL SPEC.)

NUMERICAL INDEX

## INDEX (INDIVIDUAL SPEC.)

NUMERICAL INDEX

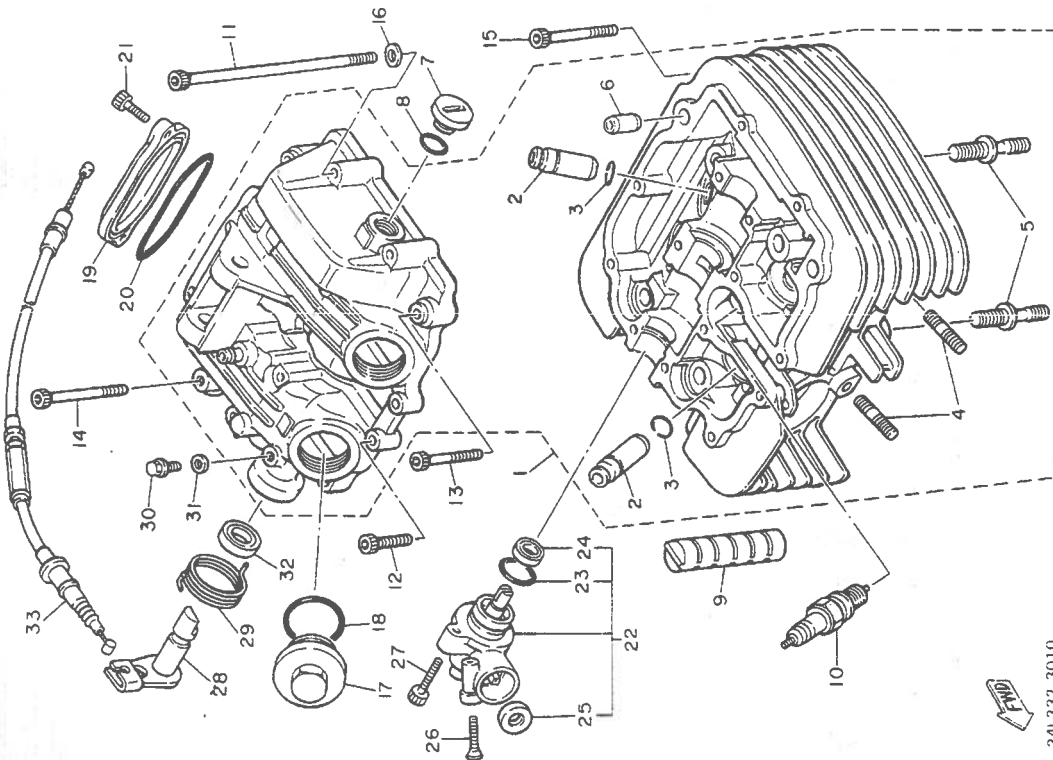
# **GENERAL SPEC.**





FIG. 1 CYLINDER

REF. NO.	PART NO.	DESCRIPTION	Q'TY	REMARKS
1	34L-11101-00	CYLINDER HEAD ASSY	1	
2	4H7-11133-10	•GUIDE, intake valve	4	
3	93440-12052	•CIRCLIP	4	
4	95611-06620	•BOLT, stud	4	
5	90116-10378	•BOLT, stud	2	
6	91810-03014	•PIN, dowel	2	
7	90340-14079	PLUG, straight screw	1	
8	93210-14369	O-RING	1	
9	583-11127-00	ABSORBER 3	2	
10	94701-00262	PLUG, spark (NGK DPR7EA 9)	1	
11	91316-06125	BOLT	2	
12	91316-06025	BOLT	4	
13	91316-06040	BOLT	3	
14	91316-06055	BOLT	7	
15	91316-06050	BOLT	1	
16	92906-06600	WASHER, Plate	2	
17	1H2-11186-00	COVER, cylinder head side 2	2	
18	93210-32172	O-RING	2	
19	5Y1-11187-00	COVER, cylinder head side 3	1	
20	93210-62446	O-RING	1	
21	91316-06018	BOLT	2	
22	5Y1-17800-00	GEAR UNIT ASSY, tacho. drive	1	
23	93210-19522	•O-RING	1	
24	93102-11262	•OIL SEAL	1	
25	93102-07261	•OIL SEAL	1	
26	92706-06030	SCREW, flat head	1	
27	91316-06025	BOLT	1	
28	34K-12288-00	CAM, decompression	1	

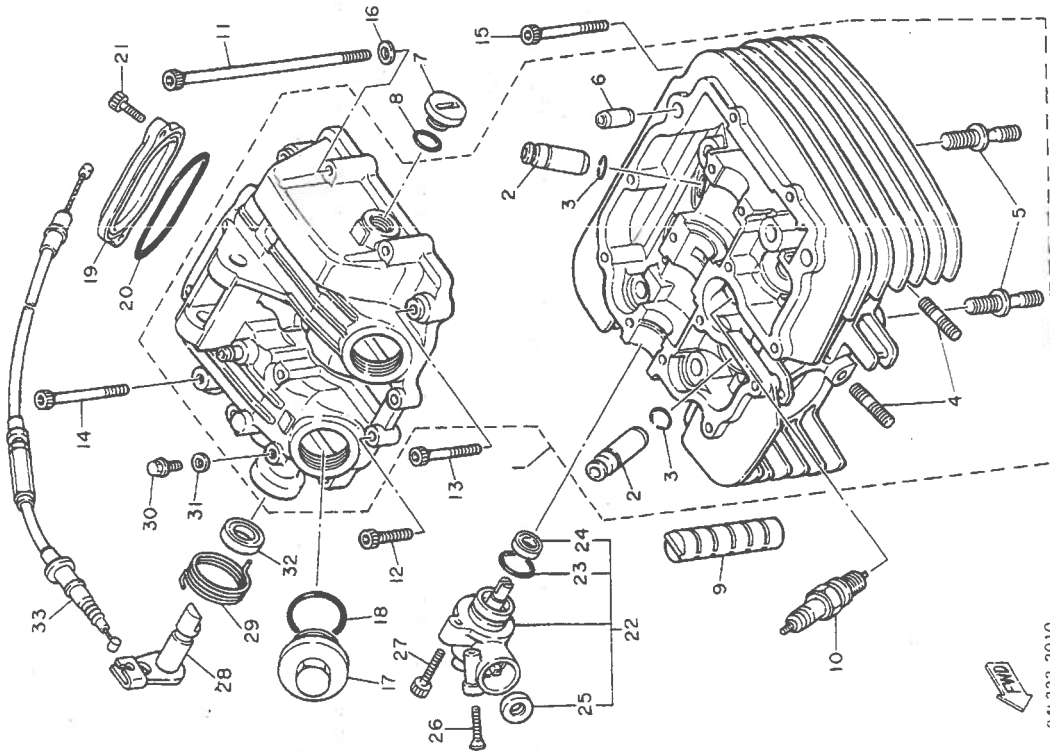


34L332 3010

B2

FIG. 1 CYLINDER HEAD

REF. NO.	PART NO.	DESCRIPTION	Q'TY	REMARKS
29	90508-18551	SPRING, torsion	1	
30	90109-06418	BOLT	1	
31	90430-06014	GASKET	1	
32	93102-12106	OIL SEAL	1	
33	34L-12292-00	CABLE, decompression	1	

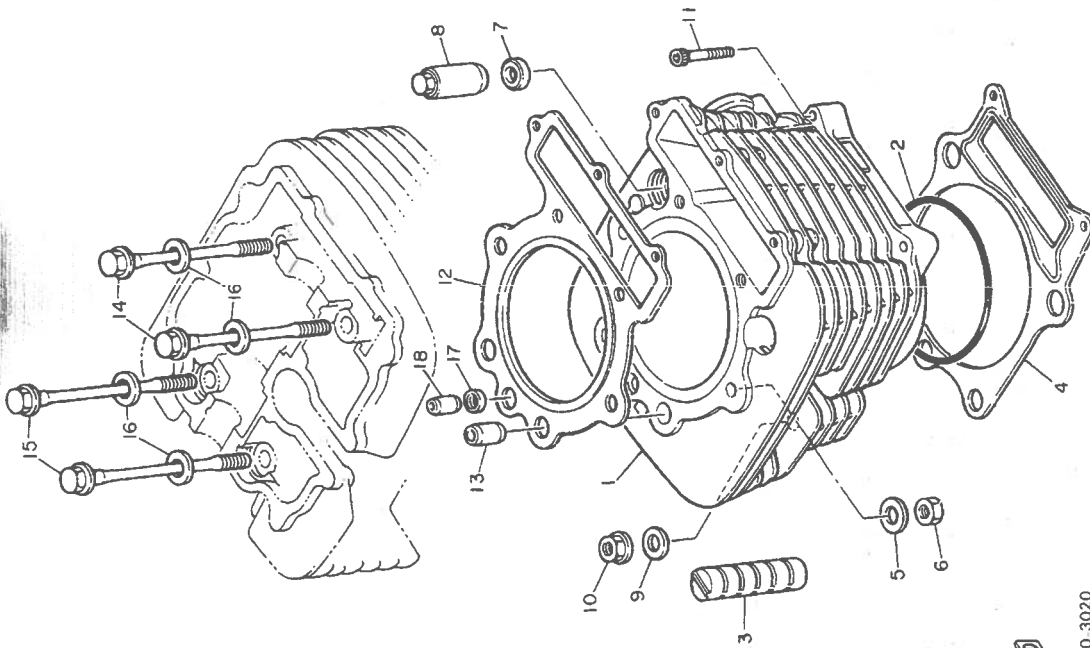


341332 3010

**B3**

FIG. 3 CYLINDER

REF. NO.	PART NO.	DESCRIPTION	Q'TY	REMARKS
1	34L-11310-00	CYLINDER	1	
2	93210-98473	O-RING	1	
3	583-11127-00	ABSORBER 3	2	
4	34K-11351-00	GASKET, cylinder	1	
5	90201-08760	WASHER, Plate	2	
6	90176-08026	NUT, crown	2	
7	90201-10590	WASHER, Plate	2	
8	90179-10201	NUT	2	
9	90201-10124	WASHER, Plate	2	
10	90179-10279	NUT	2	
11	91316-06030	BOLT	2	
12	34K-11181-00	GASKET, cylinder head 1	1	
13	91810-05018	PIN, dowel	2	
14	90105-08213	BOLT, washer based	2	
15	90105-08214	BOLT, washer based	2	
16	90201-08609	WASHER, Plate	4	
17	90430-08178	GASKET	1	
18	91810-18016	PIN, dowel	1	

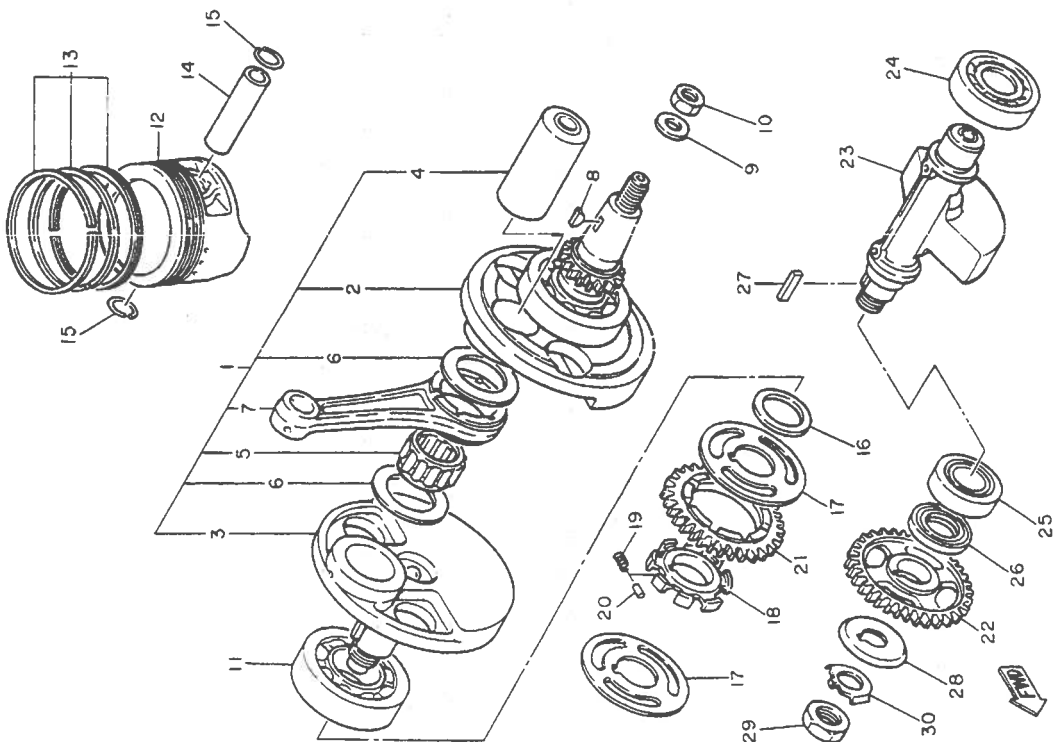


5Y1110 3020

**B4**

FIG. 3 CRANKSHAFT • PISTON

REF. NO.	PART NO.	DESCRIPTION	Q'TY	REMARKS
1	34K-11400-00	CRANKSHAFT ASSY	1	
2	34K-W1141-00	•CRANK 1	1	
3	34K-11422-00	•CRANK 2	1	
4	34K-11681-00	•PIN, crank 1	1	
5	93310-634K2	•BEARING, cylindrical	1	
6	90209-34254	•WASHER	2	
7	34K-11651-00	•ROD, connecting	1	
8	90280-05013	KEY, woodruff	1	
9	90201-14226	WASHER, Plate	1	
10	90179-14317	NUT	1	
11	93306-30702	BEARING (B6307)	1	
12	34L-11631-00-YO	PISTON (STD)	1	
	34L-11636-00	PISTON (0.50MM D/S)	1	AP
	34L-11638-00	PISTON (1.00MM D/S)	1	AP
13	34L-11610-00	PISTON RING SET (STD)	1	
	34L-11610-20	PISTON RING SET (2ND D/S)	1	AP
	34L-11610-40	PISTON RING SET (4TH D/S)	1	AP
14	34K-11633-00	PIN, Piston	1	
15	93450-24028	CIRCLIP	2	
16	90201-301F4	WASHER, Plate	1	
17	34K-11565-01	WASHER, bearing cover	2	
18	5Y1-11496-01	BOSS, buffer	1	
19	90501-22721	SPRING, compression	8	
20	93605-10090	PIN, dowel	4	
21	34K-11536-01	GEAR, drive	1	
22	5Y1-11531-00	GEAR, balance wt 44l	1	
23	34K-11454-00	WEIGHT 1	1	
24	93306-30525	BEARING (B6305)	1	

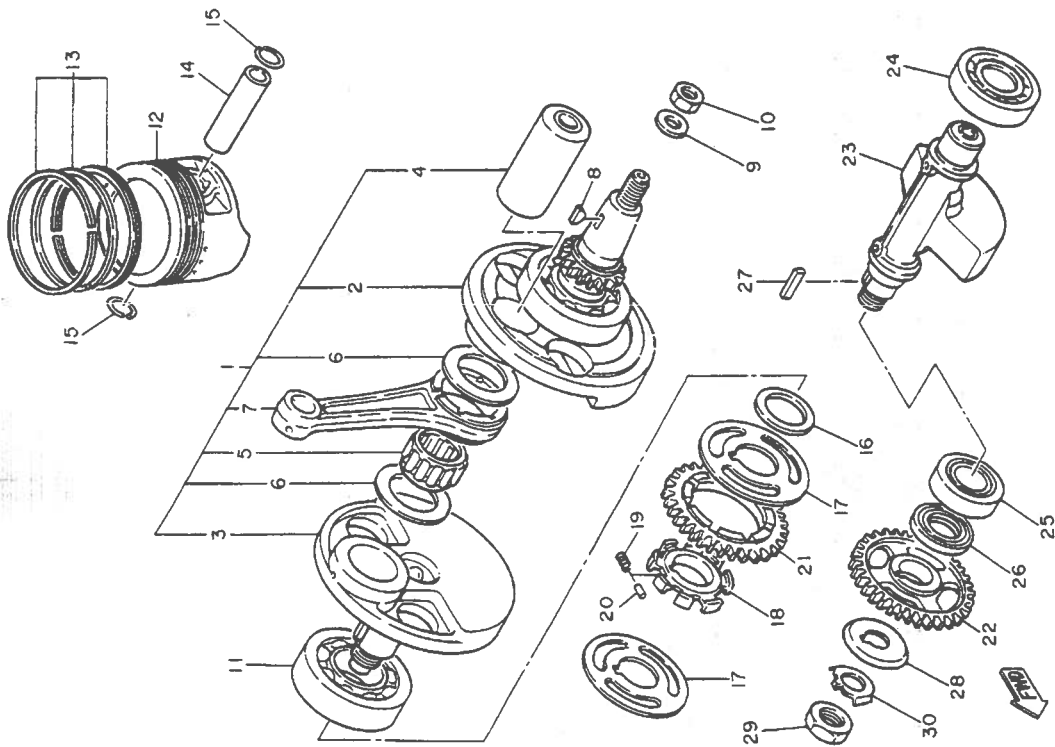


43F300 4030

**B5**

FIG. 3 CRANKSHAFT, PISTON

REF. NO.	PART NO.	DESCRIPTION	Q'TY	REMARKS
25	93306-30541	BEARING	1	
26	93101-25106	OIL SEAL	1	
27	90282-05013	KEY, straight	1	
28	34K-11145-00	PLATE, breather 2	1	
29	90170-16343	NUT	1	
30	90215-16242	WASHER, lock	1	

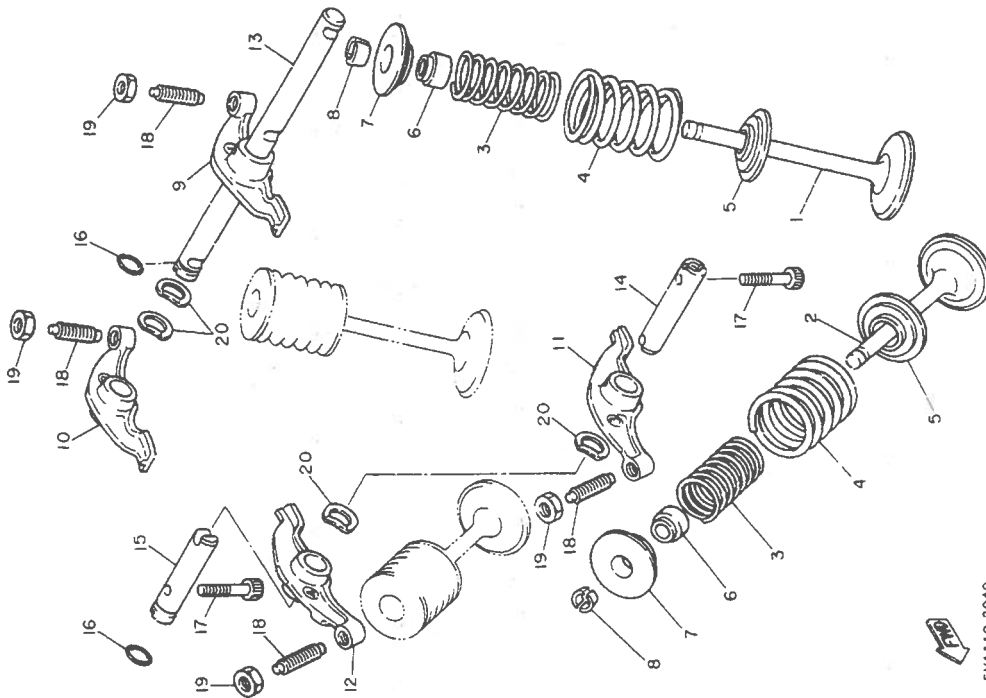


43F300-4030

**B6**

FIG. 4 VALVE

REF. NO.	PART NO.	DESCRIPTION	Q'TY	REMARKS
1	5Y1-12111-00	VALVE, intake	2	
2	34K-12121-00	VALVE, exhaust	2	
3	5Y1-12113-00	SPRING, valve inner	4	
4	5Y1-12114-00	SPRING, valve outer	4	
5	4H7-12116-00	SEAT, valve spring	4	
6	1J7-12119-01	SEAL, valve stem	4	
7	2F3-12117-00	RETAINER, valve spring	4	
8	1J7-12118-00	COTTER, valve	8	
9	34K-12151-00	ARM, valve rocker	1	
10	34K-12161-00	ARM, valve rocker 2	1	
11	34K-12162-00	ARM, valve rocker 3	1	
12	34K-12163-00	ARM, valve rocker 4	1	
13	5Y1-12146-00	SHAFT, rocker	1	
14	5Y1-12156-00	SHAFT, rocker 2	1	
15	5Y1-12166-00	SHAFT, rocker 3	1	
16	93210-08521	O-RING	2	
17	91316-06030	BOLT	2	
18	3Y1-12159-00	SCREW, valve adjusting	4	
19	90170-06128	NUT	4	
20	90206-12075	WASHER, wave	4	

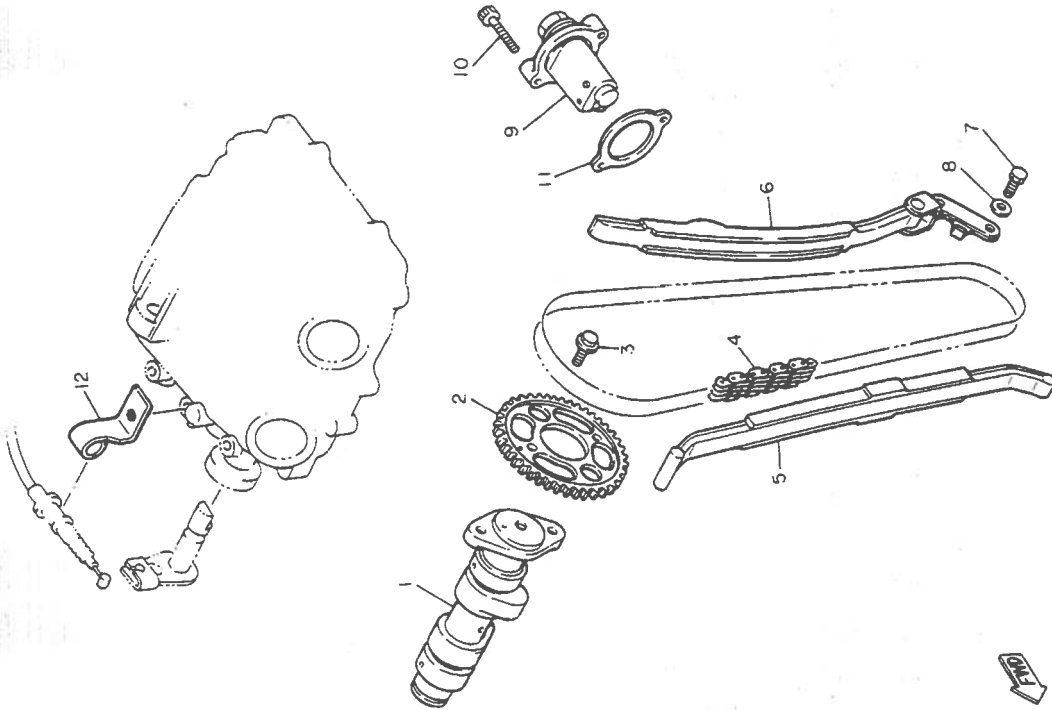


5Y1110-2040

**B7**

FIG. 5 CAMSHAFT. CHAIN

REF. NO.	PART NO.	DESCRIPTION	Q'TY	REMARKS
1	43F-12170-00	CAMSHAFT ASSY 1	1	
2	34K-12176-00	SPROCKET, cam chain	1	
3	90105-07087	BOLT, washer based	2	
4	94590-27126	CHAIN	1	
5	34K-12231-00	GUIDE, stopper 1	1	
6	34K-12241-00	GUIDE, stopper 2	1	
7	97321-06016	BOLT	2	
8	90201-061A5	WASHER, Plate	2	
9	34K-12210-00	TENSIONER ASSY, cam chain	1	
10	91316-06025	BOLT	2	
11	4X7-12213-00	GASKET, tensioner case	1	
12	5Y1-12283-00	BRACKET, decompression	1	

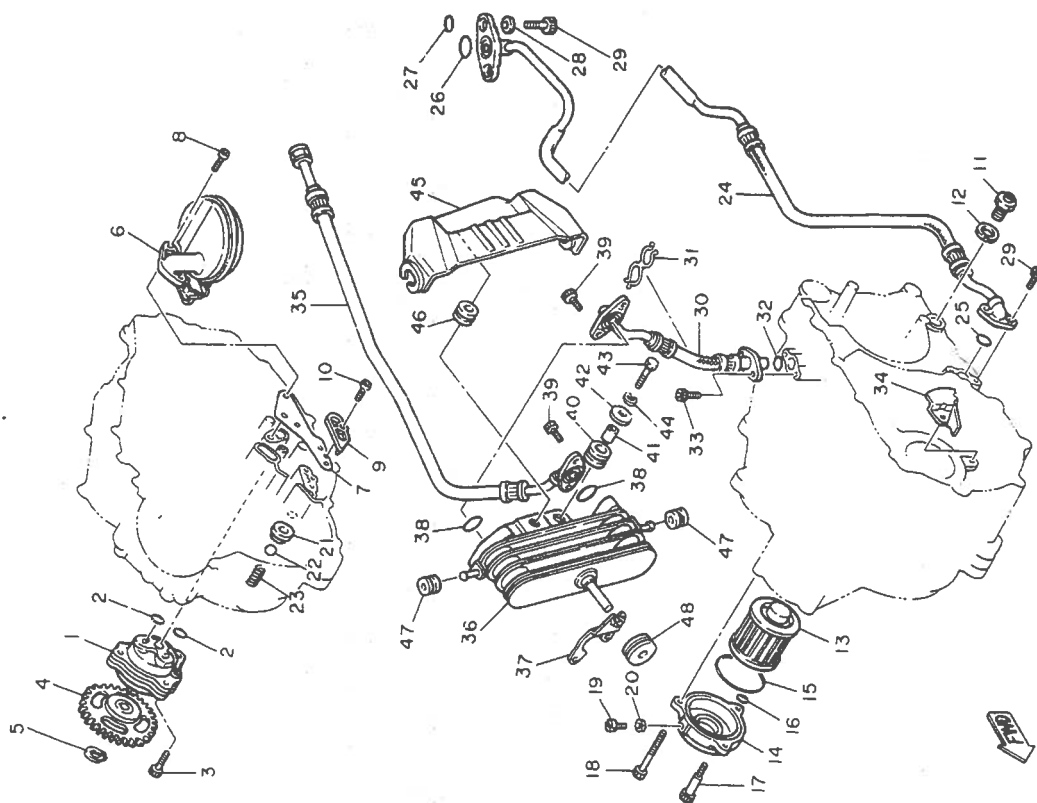


 43F300-4050

**B8**

FIG. 6 OIL PUMP

REF. NO.	PART NO.	DESCRIPTION	Q'TY	REMARKS
1	5Y1-13300-00	OIL PUMP ASSY	1	
2	93210-13361	D-RING	2	
3	91316-06035	BOLT	3	
4	5Y1-13325-00	GEAR, Pump driven	1	
5	93410-11002	CIRCLIP	1	
6	5Y1-M1343-00	STRAINER COMP.	1	
7	5Y1-13415-01	SEAL, oil strainer	1	
8	92501-06014	SCREW, Pan head	2	
9	5Y1-15427-00	COVER, cap 2	1	
10	92501-06014	SCREW, Pan head	1	
11	11H-13455-00	PLUG	1	
12	214-11198-01	GASKET	1	
13	4X7-13440-90	ELEMENT ASSY, oil cleaner	1	
14	583-13447-01	COVER, oil element	1	
15	93210-64297	D-RING	1	
16	93210-07135	D-RING	1	
17	90109-06419	BOLT	1	
18	91316-06080	BOLT	2	
19	90149-05110	SCREW	1	
20	90430-05126	GASKET	1	
21	583-13113-00	SEAT, check ball	1	
22	93503-08007	BALL	1	
23	90501-05378	SPRING, compression	1	
24	34L-13464-02	HOSE, oil 1	1	
25	93210-10197	D-RING	1	
26	93210-22298	D-RING	1	
27	93210-09350	D-RING	2	
28	90430-06166	GASKET	2	



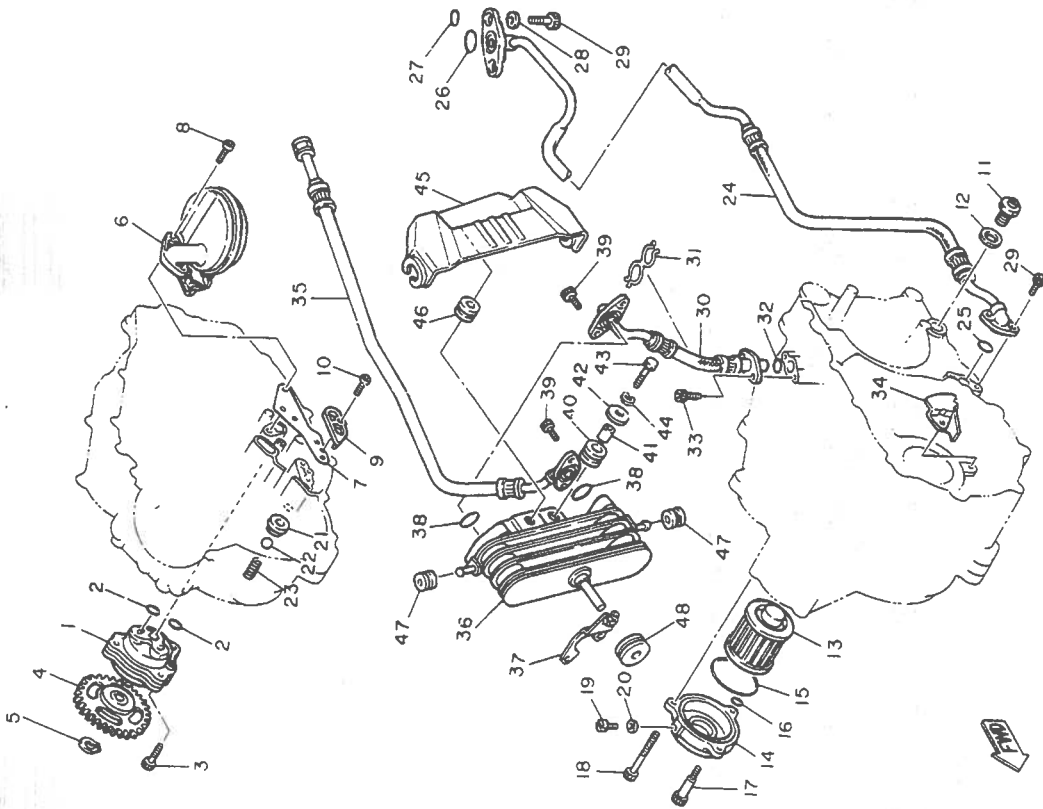
50T300-4060

**B9**



FIG. 6 OIL PUMP

REF. NO.	PART NO.	DESCRIPTION	Q'TY	REMARKS
29	91316-06016	BOLT	4	
30	34L-13465-01	HOSE, oil 2	1	
31	90464-20064	CLAMP	1	
32	93210-15171	O-RING	1	
33	91316-06016	BOLT	2	
34	5Y1-13371-00	PLATE	1	
35	34L-13466-01	HOSE, oil cooler	1	
36	34L-13470-00	OIL COOLER ASSY	1	
37	34L-13472-01	HOLDER, oil cooler 1	1	
38	93210-14579	O-RING	2	
39	91316-06012	BOLT	4	
40	90480-15235	GROMMET	2	
41	90387-060A7	COLLAR	2	
42	90209-06174	WASHER	2	
43	97306-06020	BOLT	2	
44	92906-06100	WASHER, spring	2	
45	34L-13443-00	COVER, oil cooler	1	
46	90480-13197	GROMMET	1	
47	90480-12053	GROMMET	2	
48	90480-16233	GROMMET	1	

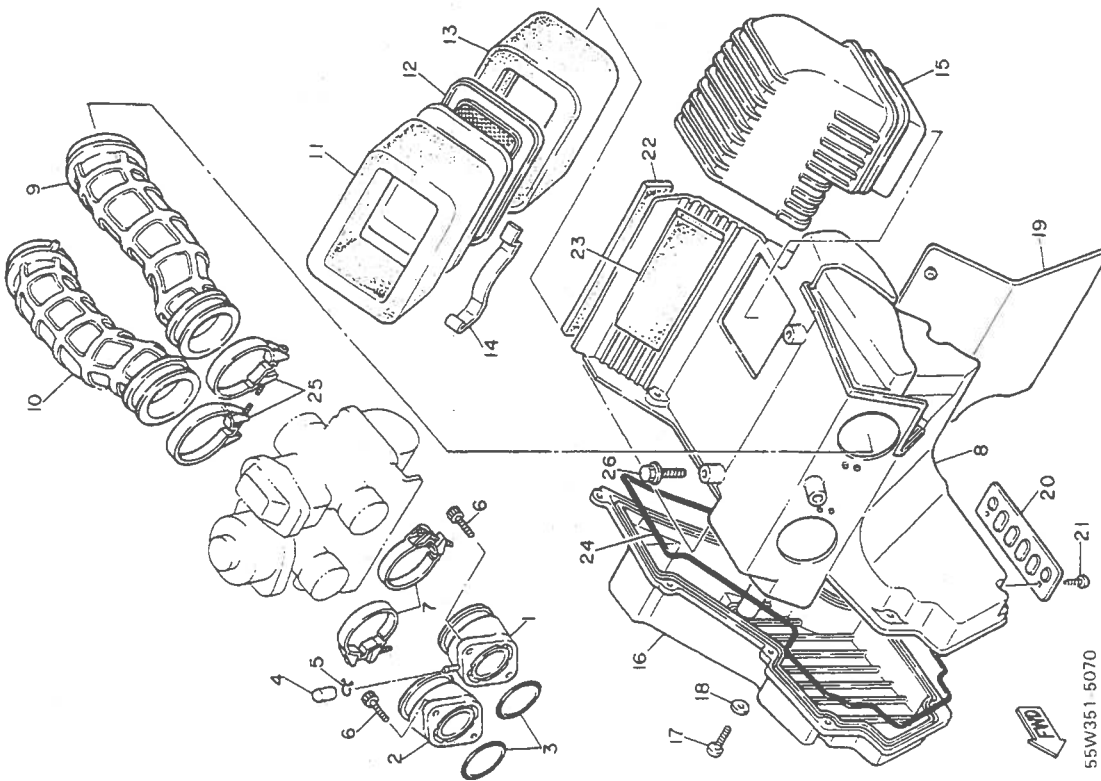


50T300-4060

**B10**

FIG. 7 INTAKE

REF. NO.	PART NO.	DESCRIPTION	Q'TY	REMARKS
1	43F-13586-00	JOINT, carburetor 1	1	
2	43F-13596-00	JOINT, carburetor 2	1	
3	93210-36549	O-RING	2	
4	16G-13569-00	PLUG, blind	1	
5	90467-10039	CLIP	1	
6	91316-06020	BOLT	4	
7	90460-46206	CLAMP, hose	2	
8	34L-14401-00	AIR CLEANER CASE ASSY	1	
9	43F-14453-00	JOINT, air cleaner 1	1	
10	43F-14454-00	JOINT	1	
11	34L-14451-00	ELEMENT, air cleaner	1	
12	34L-14458-00	GUIDE	1	
13	34L-14461-00	ELEMENT, air cleaner 2	1	
14	2J2-14468-00	PLATE, element fitting	1	
15	34L-14437-00	DUCT	1	
16	55W-14412-00	CAP, cleaner case 1	1	
17	98506-05016	SCREW, Pan head	6	
18	92906-05600	WASHER, Plate	6	
19	34L-21621-00	FLAP	1	
20	34L-1442F-00	PROTECTDR	1	
21	97706-40506	SCREW, tapping	2	
22	34L-14426-00	DAMPER 2	1	
23	34L-14425-00	DAMPER 1	1	
24	34K-14452-00	SEAL	1	
25	90460-51059	CLAMP, hose	2	
26	95801-06012	BOLT, flange	3	

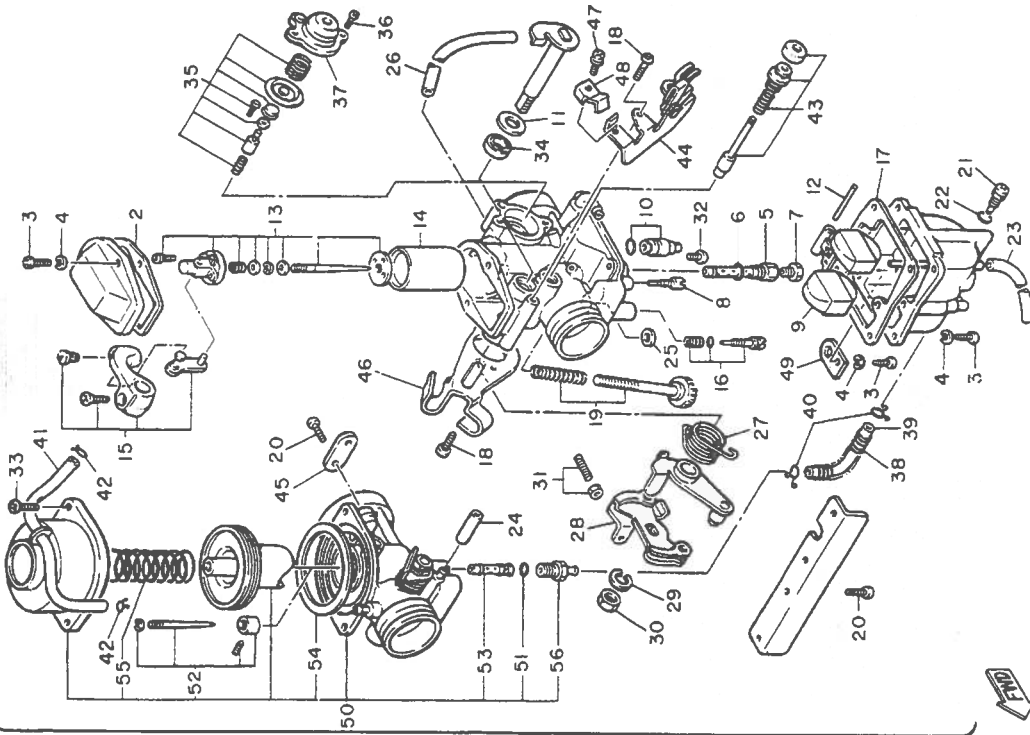


55W351-5070

**B11**

FIG. CARBURETOR

REF. NO.	PART NO.	DESCRIPTION	Q'TY	REMARKS
1	43F-14301-00	CARBURETOR ASSY 1	1	
2	5Y1-14198-00	•GASKET	1	
3	98501-04014	•SCREW, Pan head	6	
4	92901-04100	•WASHER, spring	6	
5	43F-14341-00	•NOZZLE, main	1	
6	360-24512-00	•GASKET	1	
7	288-14343-65	•JET, main (#130)	1	
8	43F-14342-23	•JET, Pilot (# 46)	1	
9	5Y1-14385-00	•FLOAT	1	
10	5Y1-14107-00	•NEEDLE VALVE SET	1	
11	5Y1-14357-00	•WASHER, Plain	1	
12	6E5-14386-01	•PIN, float	1	
13	34K-1490J-10	•NEEDLE SET	1	
14	5Y1-14312-55	•VALVE, throttle 1	1	
15	5Y1-14203-00	•CABLE CONNECTOR SET	1	
16	43F-14105-00	•PILOT SCREW SET	1	
17	5Y1-14384-00	•GASKET, float chamber	1	
18	5Y1-14325-00	•SCREW, Pan head	3	
19	34K-14103-00	•THROTTLE SCREW SET	1	
20	98501-05010	•SCREW, Pan head	6	
21	5Y1-14115-00	•PLUG, screw	1	
22	5Y1-14397-00	•O-RING	1	
23	5Y1-14396-00	•PIPE	1	
24	5Y1-14349-00	•PIPE	1	
25	5Y1-14536-00	•GASKET	1	
26	34K-14197-00	•PIPE	1	
27	5Y1-14131-00	•SPRING, throttle valve	1	
28	34K-14305-00	•THROTTLE LEVER COMP	1	

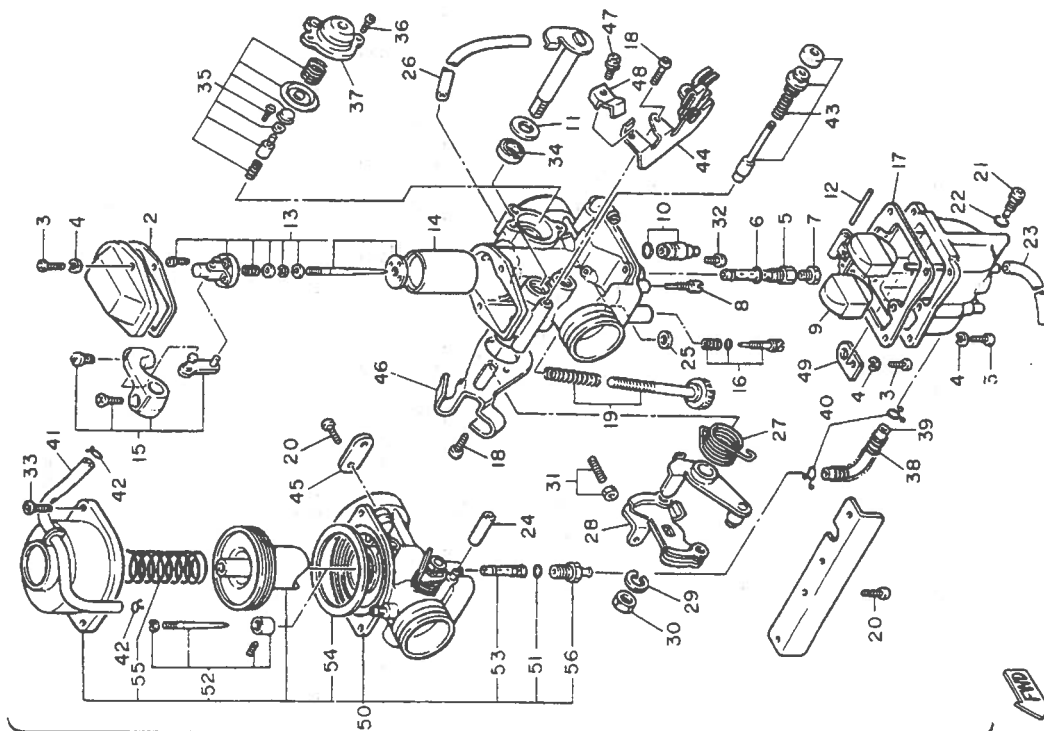


43F300-4080

**B12**

FIG. 8 CARBURETOR

REF. NO.	PART NO.	DESCRIPTION	Q'TY	REMARKS
29	5Y1-14356-00	•WASHER, sPring	1	
30	5Y1-14358-00	•NUT	1	
31	34K-1490K-00	•STOP SCREW SET	1	
32	98901-04006	•SCREW, bind	1	
33	5Y1-14216-00	•SCREW	2	
34	5Y1-14572-00	•SEAL	2	
35	5Y1-1490A-00	•DIAPHRAGM SET, 1	1	
36	98503-04010	•SCREW, Pan head	2	
37	5Y1-14293-01	•COVER 1	1	
38	5Y1-14556-00	•SPRING	1	
39	5Y1-14148-00	•PIPE	1	
40	5Y1-14137-00	•CLIP	2	
41	5Y1-14149-00	•PIPE	1	
42	5Y1-14159-00	•CLIP	2	
43	5Y1-1410A-00	•STARTER SET	1	
44	34L-14905-00	•LEVER, starter	1	
45	34K-14146-00	•PLATE	1	
46	34K-14571-00	•BRACKET, throttle	1	
47	677-24444-00	•SCREW	1	
48	5Y1-14377-00	•STOPPER	1	
49	42U-14146-00	•PLATE	1	
50	43F-14320-00	•CARBURETOR ASSY 2	1	
51	360-24512-00	•GASKET	1	
52	43F-1490J-01	•NEEDLE SET	1	
53	5Y1-14355-00	•NOZZLE, main 2	1	
54	5Y1-14398-00	•GASKET	1	
55	5Y1-14286-00	•SPRING	1	
56	5Y1-14343-65	•JET, main (#130)	1	UR STD

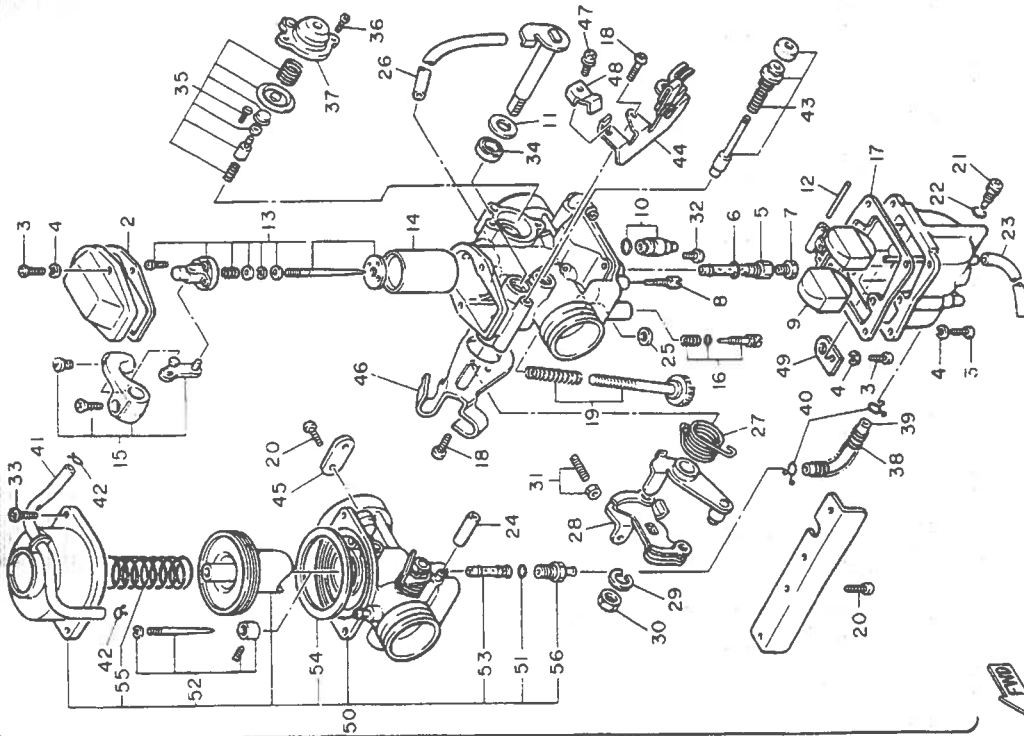


43F300-4080

**B13**

13. 8 CARBURETOR

REF. NO.	PART NO.	DESCRIPTION	Q'TY	REMARKS
56	5Y1-14343-63	••JET, main (#126)	1	UR

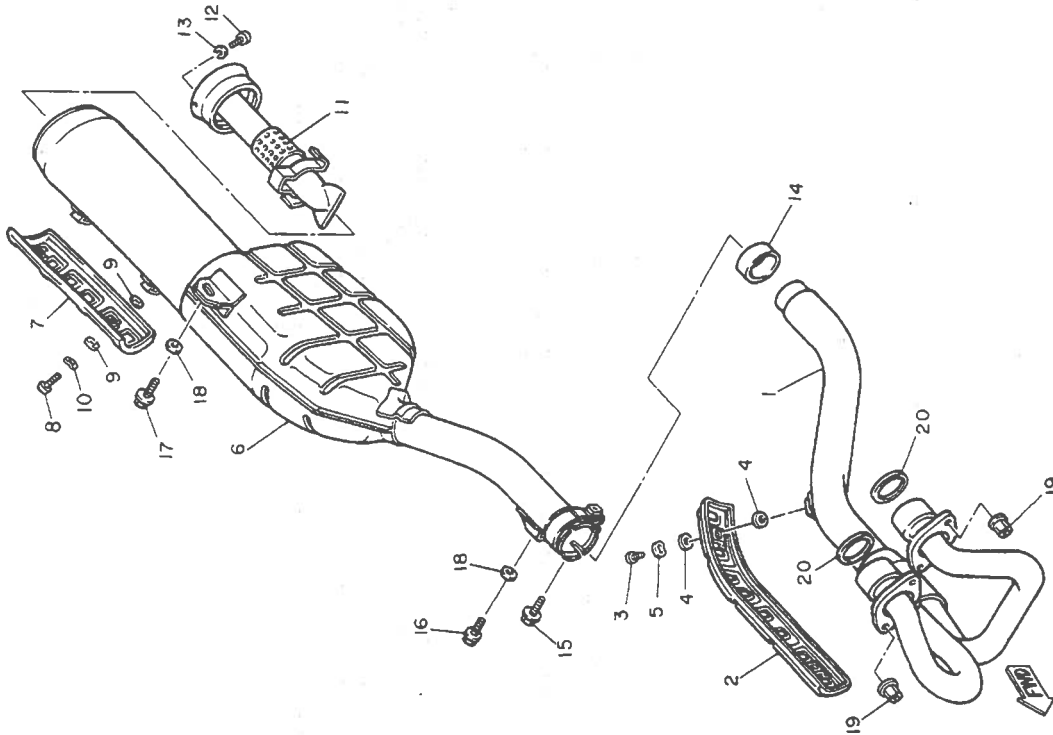


 43F300-4080

**B14**

FIG. 9 EXHAUST

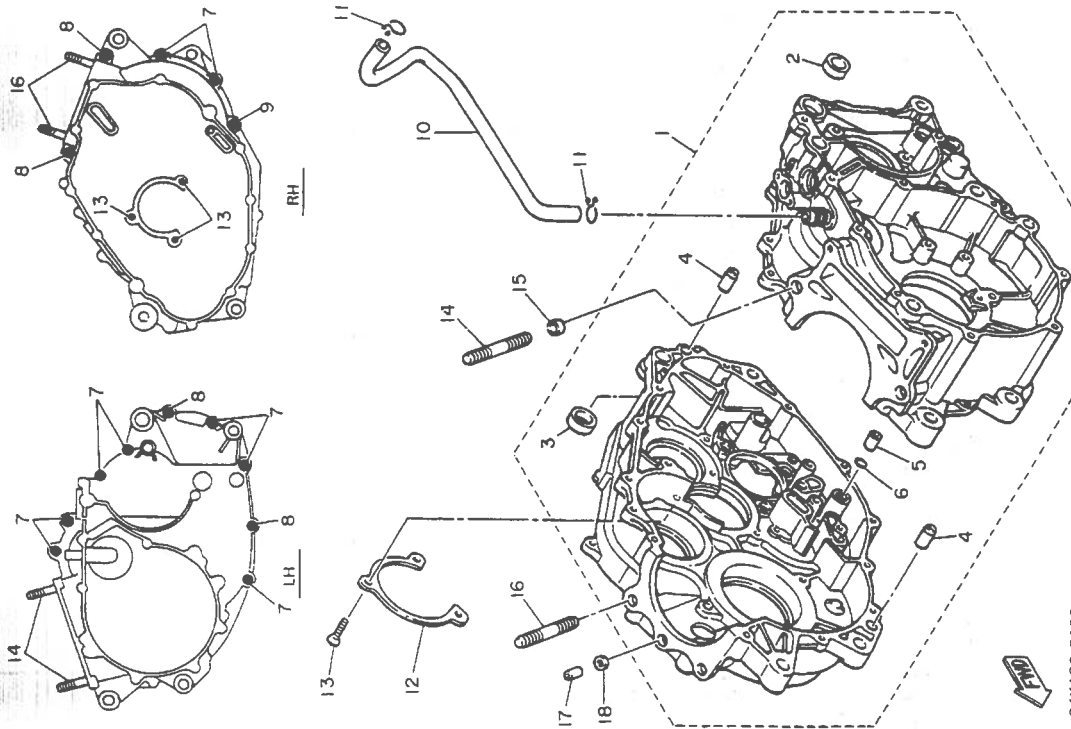
REF. NO.	PART NO.	DESCRIPTION	Q'TY	REMARKS
1	34K-14611-00	PIPE, exhaust 1	1	
2	34K-14628-00	PROTECTOR, exhaust Pipe	1	
3	90164-06017	SCREW, tapping	2	
4	30X-14766-00	WASHER, Protector	4	
5	90206-06060	WASHER, wave	2	
6	34L-14711-00	MUFFLER 1	1	
7	34L-14728-00	PROTECTOR, muffler 2	1	
8	98906-06010	SCREW, bind	2	
9	583-14766-00	WASHER, Protector	4	
10	90206-06060	WASHER, wave	2	
11	34L-14752-01	PIPE, outlet	1	
12	92501-06008	SCREW, Pan head	1	
13	92990-06100	WASHER, sPring	1	
14	34K-14714-00	GASKET, muffler	1	
15	95816-08045	BOLT, flange	1	
16	95811-08012	BOLT, flange	1	
17	95821-08020	BOLT, flange	1	
18	90201-08326	WASHER, Plate	2	
19	90179-06499	NUT	4	
20	5Y1-14613-00	GASKET, exhaust Pipe	2	



**B15**

FIG. 10 CRANKCASE

REF. NO.	PART NO.	DESCRIPTION	Q'TY	REMARKS
1	34L-15100-00	CRANKCASE ASSY	1	
2	90387-17783	•COLLAR	1	
3	90387-16782	•COLLAR	1	
4	91830-22016	•PIN, dowel	2	
5	91810-18016	•PIN, dowel	1	
6	93210-07135	•O-RING	1	
7	91316-06030	BOLT	9	
8	91316-06045	BOLT	4	
9	91316-06060	BOLT	1	
10	34L-11166-00	PIPE, breather 1	1	
11	90467-14015	CLIP	2	
12	5Y1-15383-00	PLATE, bearing cover	1	
13	92701-06012	SCREW, flat head	3	
14	90116-10087	BOLT, stud	2	
15	91830-24016	PIN, dowel	2	
16	90116-10263	BOLT, stud	2	
17	91810-18016	PIN, dowel	1	
18	90430-08178	GASKET	1	

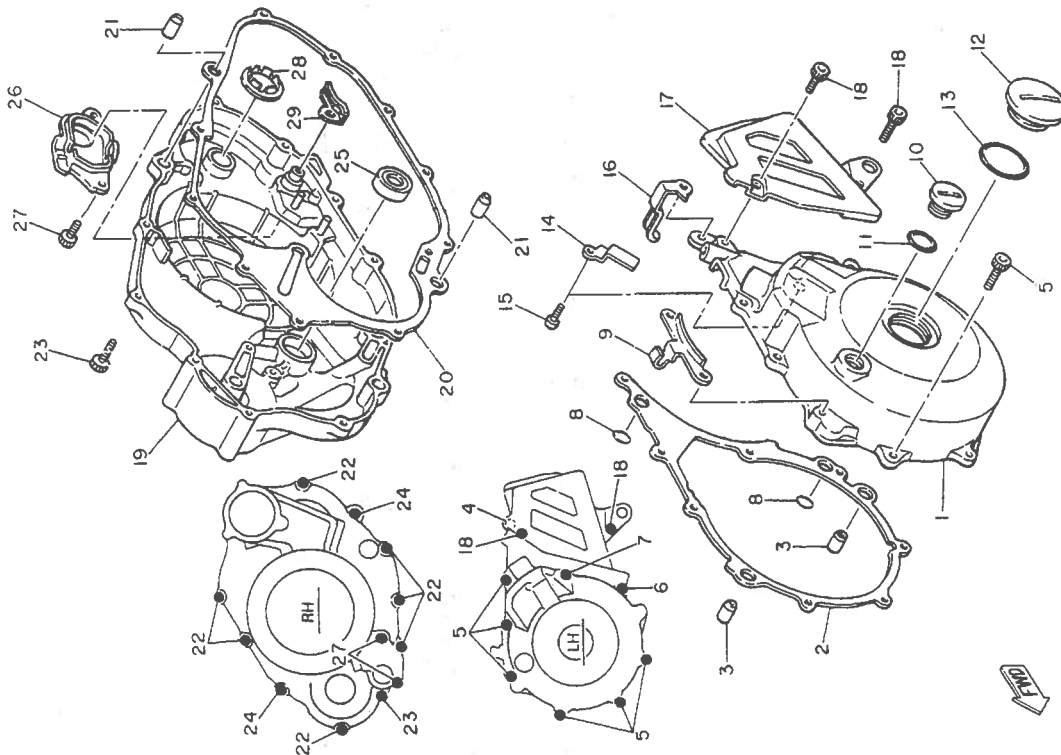


34K100-3100

C2

FIG. 11 CRANKCASE COVER 1

REF. NO.	PART NO.	DESCRIPTION	Q'TY	REMARKS
1	34K-15411-00	COVER, crankcase 1	1	
2	5Y1-15451-01	GASKET, crankcase cover 1	1	
3	91830-22016	PIN, dowel	2	
4	91316-06020	BOLT	1	
5	91316-06025	BOLT	6	
6	91316-06040	BOLT	1	
7	91316-06050	BOLT	1	
8	93210-13361	O-RING	2	
9	5Y1-15441-00	HOLDER, clutch cable	1	
10	90340-14079	PLUG, straight screw	1	
11	93210-14369	O-RING	1	
12	90340-36078	PLUG, straight screw	1	
13	93210-36510	O-RING	1	
14	90462-16102	CLAMP	1	
15	92501-06012	SCREW, Pan head	1	
16	90462-10107	CLAMP	1	
17	5Y1-15421-01	COVER, crankcase 2	1	
18	91316-06016	BOLT	2	
19	5Y1-15431-00	COVER, crankcase 3	1	
20	34K-15462-00	GASKET, crankcase cover 3	1	
21	91830-22016	PIN, dowel	2	
22	91316-06025	BOLT	7	
23	91316-06030	BOLT	1	
24	91316-06035	BOLT	2	
25	93101-14092	OIL SEAL	1	
26	5Y1-15417-00	COVER, cap	1	
27	91316-06016	BOLT	2	
28	5Y1-15645-00	SHIM, kick shaft	1	



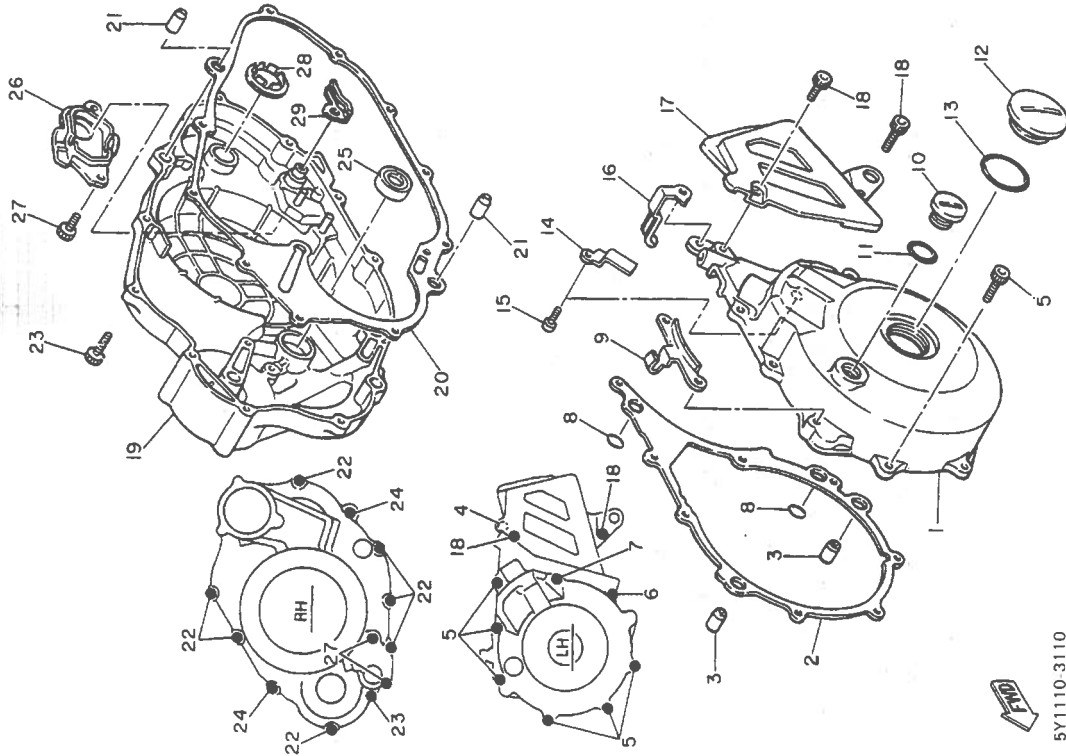
5Y1110-3110

C3



FIG. 11 ENGINE COVER 1

REF. NO.	PART NO.	DESCRIPTION	Q'TY	REMARKS
29	5Y1-1562F-01	PLATE, decomp	1	

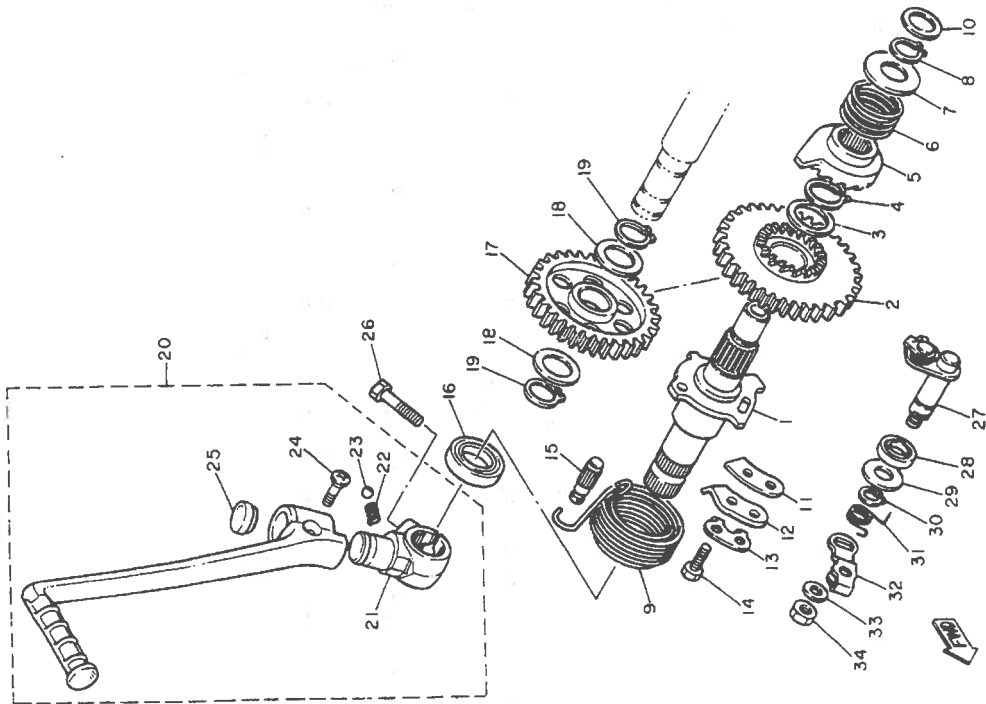


5Y1110-3110

**C4**

FIG. 12 STARTER

REF. NO.	PART NO.	DESCRIPTION	Q'TY	REMARKS
1	5Y1-15660-00	KICK AXLE ASSY	1	
2	34K-15641-00	GEAR, kick(35T)	1	
3	90201-20685	WASHER, Plate (0.5T)	1	
4	93410-20038	CIRCLIP	1	
5	5Y1-15671-00	WHEEL, ratchet	1	
6	90501-16107	SPRING, compression	1	
7	168-15676-00	COVER, spring	1	
8	93410-15005	CIRCLIP	1	
9	90508-32529	SPRING, torsion	1	
10	90201-15701	WASHER, Plate (1.0T)	1	
11	2K7-15668-00	STOPPER	1	
12	214-15674-00	GUIDE, ratchet wheel	1	
13	214-15686-00	WASHER, lock	1	
14	97321-06016	BOLT	2	
15	248-15668-00	STOPPER	1	
16	93102-20108	OIL SEAL	1	
17	5Y1-15651-01	GEAR, kick idle	1	
18	90201-20276	WASHER, Plate (1.0T)	2	
19	93410-20009	CIRCLIP	2	
20	5Y1-15620-00	KICK CRANK ASSY	1	
21	5Y1-15621-00	*BOSS, kick crank	1	
22	90501-12081	*SPRING, compression	1	
23	93507-32009	*BALL	1	
24	90152-06010	*SCREW, countersunk	1	
25	90336-18038	*PLUG, taper	1	
26	97311-08030	BOLT	1	
27	3Y1-1561A-02	DECOMP. LEVER ASSY	1	
28	93102-10207	OIL SEAL	1	

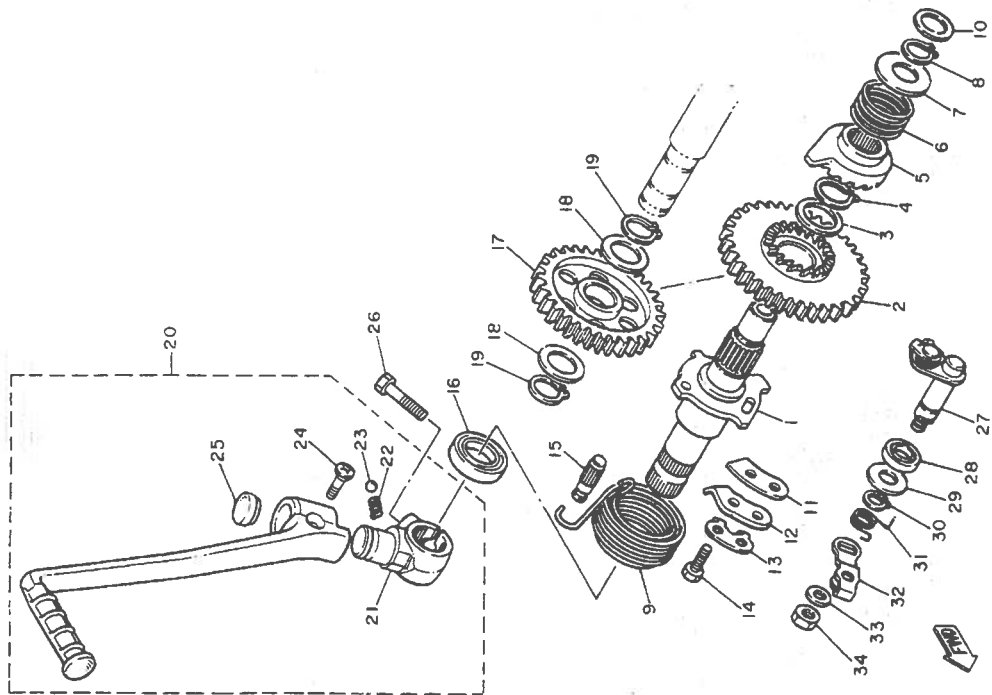


5Y1110-2130

C5

STARTER

REF. NO.	PART NO.	DESCRIPTION	Q'TY	REMARKS
29	90201-10135	WASHER, Plate	1	
30	99009-10400	CIRCLIP	1	
31	90508-14524	SPRING, torsion	1	
32	5Y1-1561G-00	LEVER, cable	1	
33	90201-061A5	WASHER, Plate	1	
34	95311-06700	NUT	1	



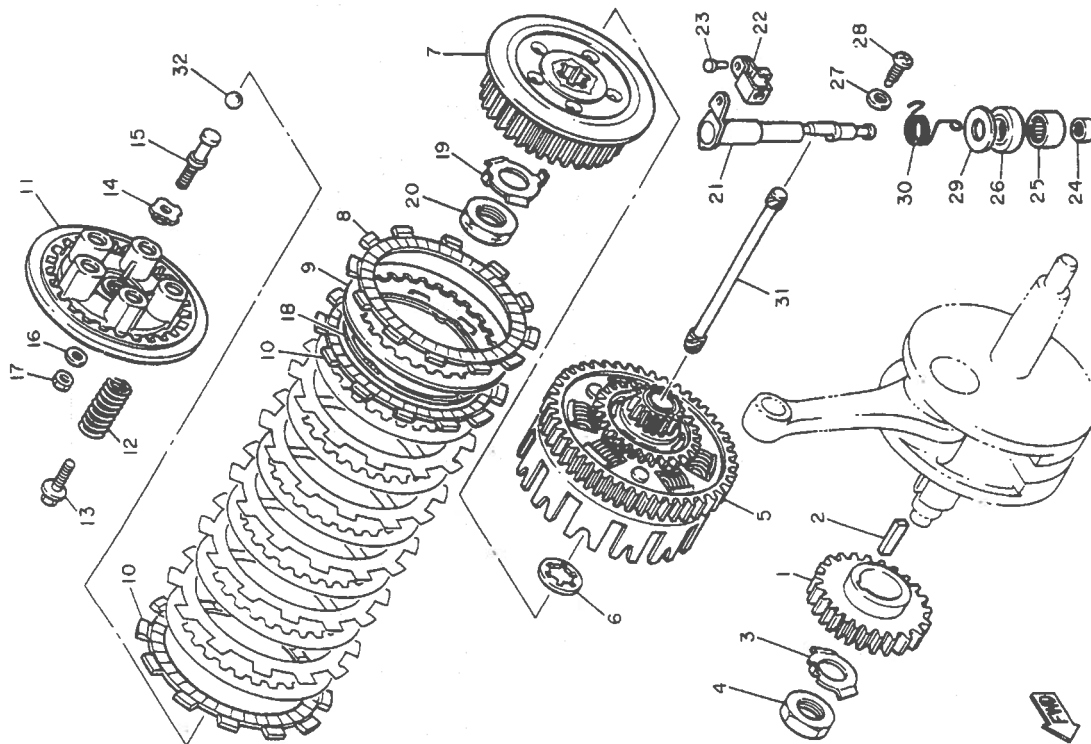
5Y1110-2130

C6

FIG. 13 CLUTCH

REF. NO. PART NO. DESCRIPTION Q'TY REMARKS

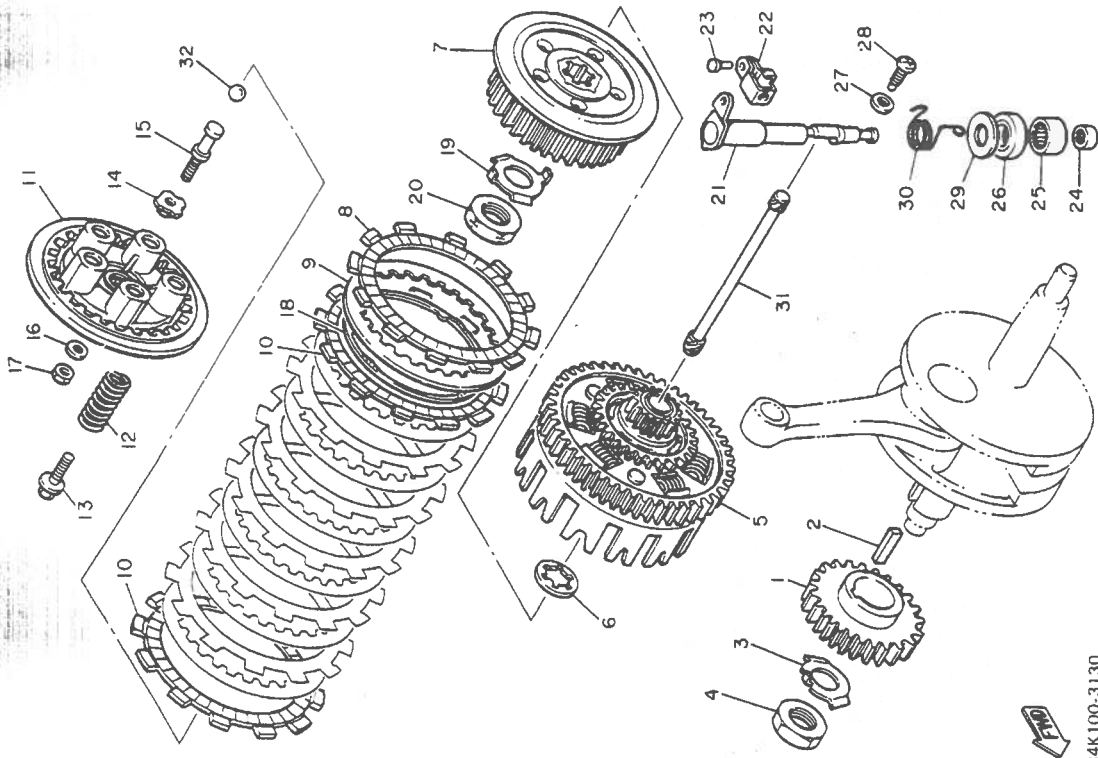
REF. NO.	PART NO.	DESCRIPTION	Q'TY	REMARKS
1	34K-16111-00	GEAR, Primary drive(31T)	1	
2	90282-07042	KEY, straight	1	
3	90215-20197	WASHER, lock	1	
4	90170-20274	NUT	1	
5	34K-16150-00	PRIMARY DRIVEN GEAR COMP.(74T)	1	
6	3Y1-16154-00	PLATE, thrust 1	1	
7	34K-16371-00	BOSS, clutch	1	
8	5Y1-16321-00	PLATE, friction	6	
9	30X-16325-00	PLATE, clutch 2	7	
10	5Y1-16331-01	PLATE, friction 2	2	
11	5Y1-16351-00	PLATE, Pressure 1	1	
12	90501-26148	SPRING, compression	5	
13	90159-06016	SCREW, with washer	5	
14	30X-16358-00	PLATE, Push	1	
15	34K-16356-00	ROD, Push 1	1	
16	92901-06200	WASHER, Plain	1	
17	95301-06600	NUT	1	
18	5Y1-16383-00	SPRING, clutch boss	1	
19	90215-20231	WASHER, lock	1	
20	90170-20327	NUT	1	
21	5Y1-16381-00	PUSH LEVER COMP.	1	
22	214-16389-00	JOINT	1	
23	90243-06016	PIN	1	
24	93317-11020	BEARING, cylindrical	1	
25	93315-11720	BEARING, cylindrical	1	
26	93102-17148	OIL SEAL	1	
27	90430-08119	GASKET	1	
28	90149-08067	SCREW	1	



34K100-3130

FIG. 13 CLUTCH

REF. NO.	PART NO.	DESCRIPTION	Q'TY	REMARKS
29	90201-17327	WASHER, Plate	1	
30	90508-14526	SPRING, torsion	1	
31	34K-16357-00	ROD, Push 2	1	
32	93515-32029	BALL	1	

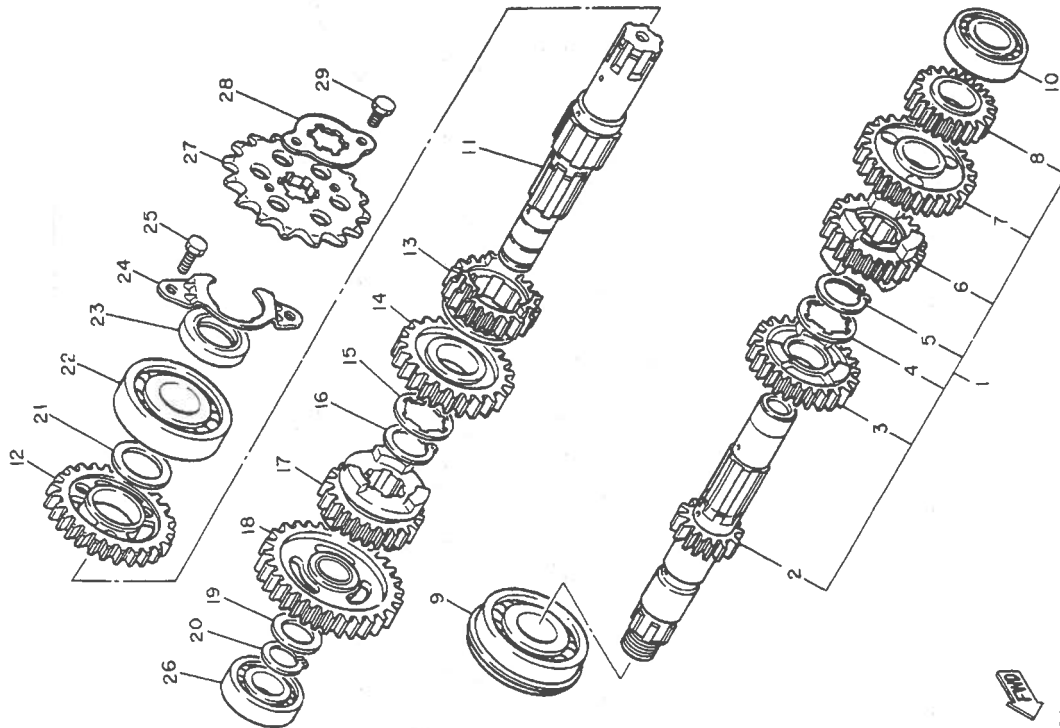


34K100-3130

C8

FIG. 14 TRANSMISSION

REF. NO.	PART NO.	DESCRIPTION	Q'TY	REMARKS
1	43F-17410-00	MAIN AXLE COMP.	1	
2	34L-17411-00	AXLE, main(12T)	1	
3	34K-17141-00	GEAR, 4th Pinion(22T)	1	
4	90209-22191	WASHER	1	
5	93440-25019	CIRCLIP	1	
6	5Y1-17131-00	GEAR, 3rd Pinion(20T)	1	
7	5Y1-17151-01	GEAR, 5th Pinion (27T)	1	
8	34K-17121-01	GEAR, 2nd Pinion (17T)	1	
9	93306-30540	BEARING	1	
10	93306-00431	BEARING	1	
11	34K-17402-00	DRIVE AXLE ASSY	1	
12	5Y1-17221-01	GEAR, 2nd wheel (27T)	1	
13	5Y1-17251-00	GEAR, 5th wheel(21T)	1	
14	55U-17231-00	GEAR, 3rd wheel(24T)	1	
15	90209-22191	WASHER	1	
16	93440-25019	CIRCLIP	1	
17	55U-17241-00	GEAR, 4th wheel (21T)	1	
18	34L-17211-00	GEAR, 1st wheel(31T)	1	
19	90201-20276	WASHER, Plate ( 1.0T)	1	
20	93410-20009	CIRCLIP	1	
21	117-15544-00	SHIM	1	
22	93306-30535	BEARING	1	
23	93102-25226	OIL SEAL	1	
24	34K-17471-00	PLATE, cover	1	
25	97321-06014	BOLT	2	
26	93306-00426	BEARING	1	
27	5Y1-17461-50	SPROCKET, drive (15T)	1	
28	3Y1-17456-00	HOLDER, sprocket	1	

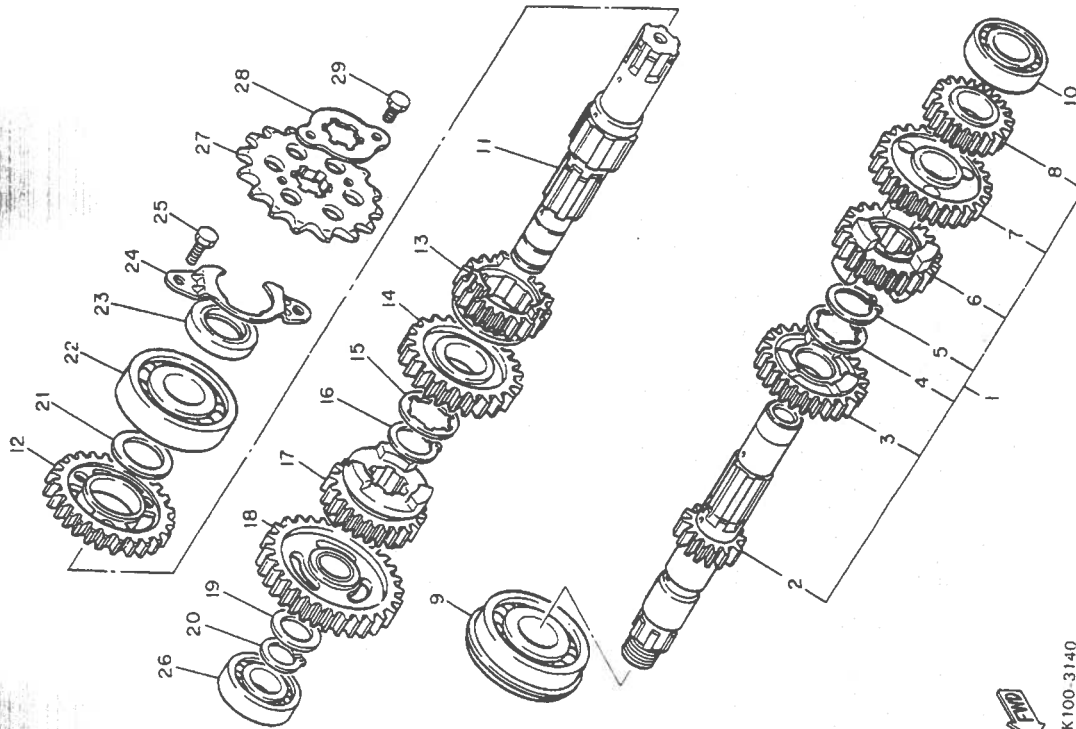


34K100-3140

C9

FIG. 14 TRANSMISSION

REF. NO.	PART NO.	DESCRIPTION	Q'TY	REMARKS
29	97322-06010	BOLT	2	

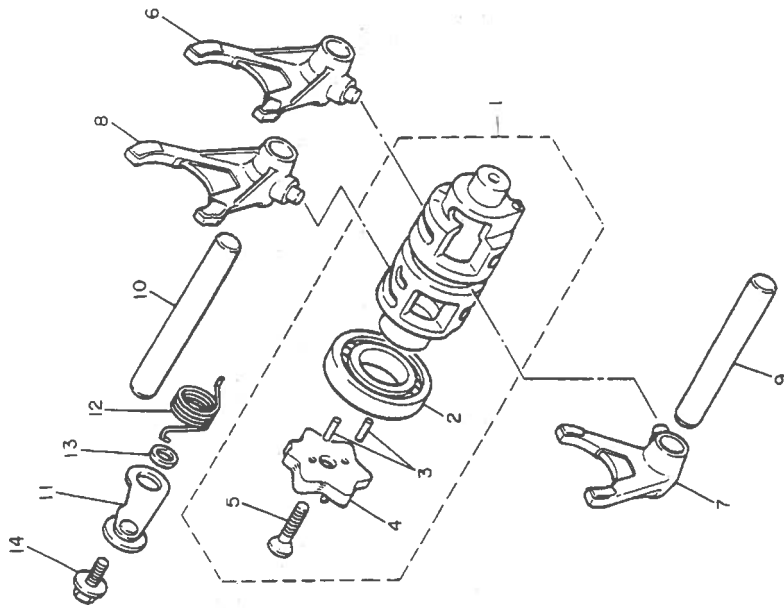


34K100-3140

C10

FIG. 15 SHIFT CAM. FORK

REF. NO.	PART NO.	DESCRIPTION	Q'TY	REMARKS
1	5Y1-18540-00	SHIFT CAM ASSY	1	
2	93316-00503	•BEARING, cylindrical	1	
3	93604-10011	•PIN, dowel	2	
4	5Y1-18185-00	•SEGMENT	1	
5	90151-06017	•SCREW, countersunk	1	
6	5Y1-18511-00	FORK, shift 1	1	
7	5Y1-18512-00	FORK, shift 2	1	
8	5Y1-18513-00	FORK, shift 3	1	
9	34K-18531-00	BAR, shift fork guide 1	1	
10	34K-18535-00	BAR, shift fork guide 2	1	
11	34K-18140-00	STOPPER LEVER ASSY	1	
12	90508-29527	SPRING, torsion	1	
13	90387-063F7	COLLAR	1	
14	90159-06078	SCREW, with washer	1	



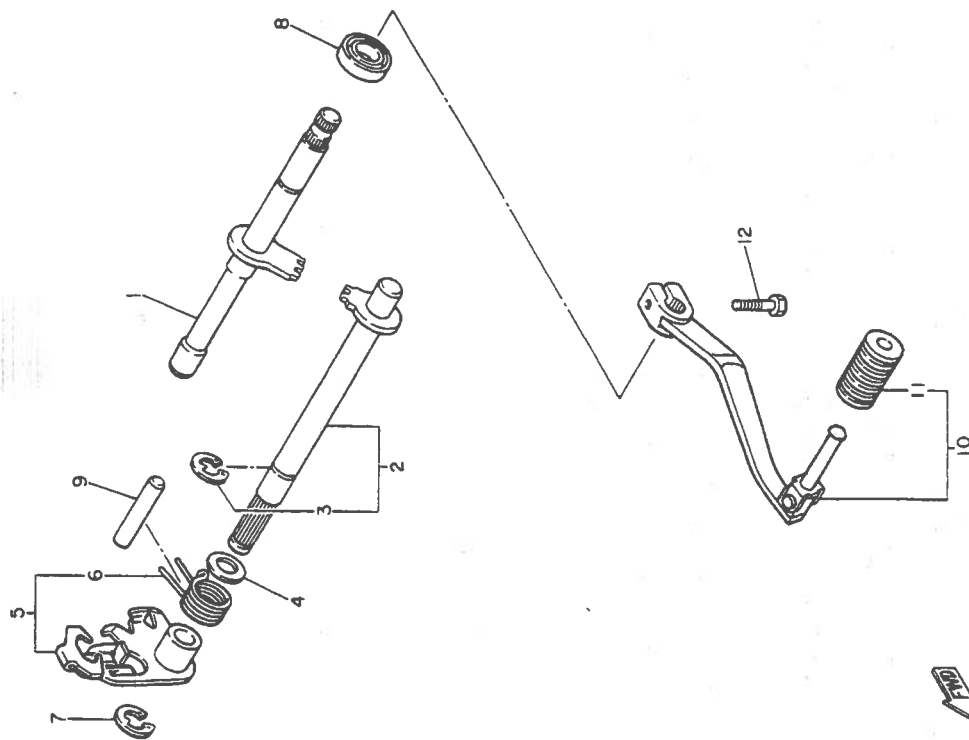
34K100-3150

C11



FIG. 1 SHIFT SHAFT

REF. NO.	PART NO.	DESCRIPTION	Q'TY	REMARKS
1	43F-18102-01	SHIFT SHAFT ASSY 2	1	
2	5Y1-18101-01	SHIFT SHAFT ASSY	1	
3	99001-10600	.CIRCLIP	1	
4	90201-12474	WASHER, Plate	1	
5	34K-18120-00	SHIFT LEVER ASSY	1	
6	90508-29629	.SPRING, torsion	1	
7	99001-09600	CIRCLIP	1	
8	93102-12106	OIL SEAL	1	
9	93608-33046	PIN, dowel	1	
10	34L-18110-00	SHIFT PEDAL ASSY	1	
11	1W6-18113-00	.COVER, shift Pedal	1	
12	97326-06020	BOLT	1	

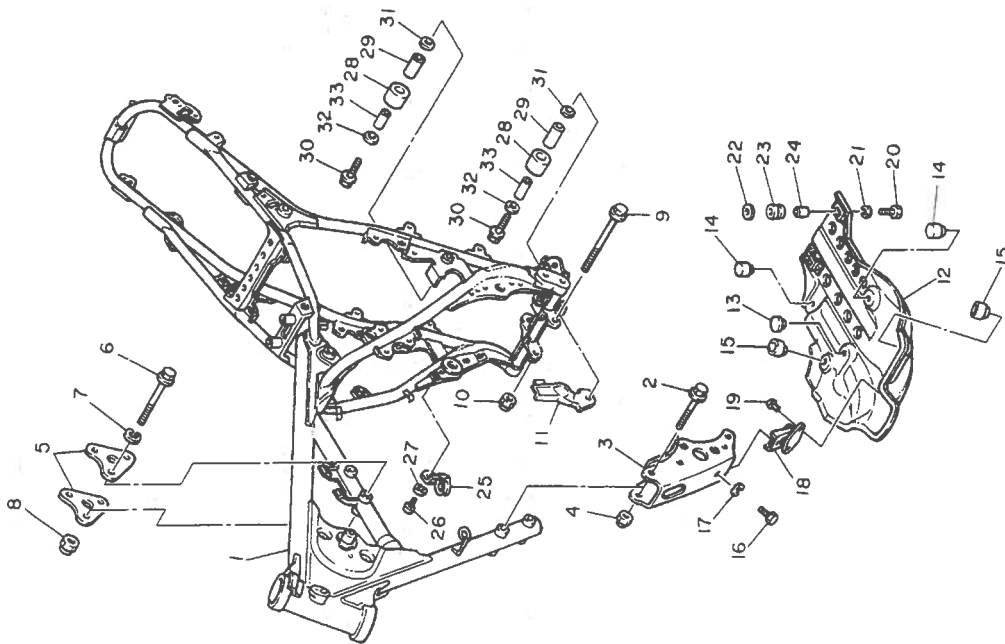


43F300-4160

C12

FIG. 17 FRAME

REF. NO.	PART NO.	DESCRIPTION	Q'TY	REMARKS
1	55W-21110-00-FH	FRAME COMP.	1	UR fire red
	55W-21110-00-G8	FRAME COMP.	1	UR sky blue NOT FOR SWISS
2	90105-10286	BOLT, washer based	4	
3	34L-21316-00-FH	STAY, engine 3	1	UR fire red
	34L-21316-00-G8	STAY, engine 3	1	UR sky blue NOT FOR SWISS
4	90185-10060	NUT, self-locking	4	
5	34L-21315-00	STAY, engine 2	2	
6	97311-10080	BOLT	3	
7	92901-10100	WASHER, spring	3	
8	90185-10060	NUT, self-locking	3	
9	95811-10100	BOLT, flange	1	
10	90185-10060	NUT, self-locking	1	
11	34L-2176E-01	PLATE	1	
12	34L-21471-00	PROTECTOR, engine	1	
13	2J5-21732-00	SEAL 1	1	
14	4N0-27114-00	STOPPER, main stand	2	
15	34L-21485-00	DAMPER, rubber 1	2	
16	97306-08016	BOLT	1	
17	92906-08100	WASHER, spring	1	
18	34L-21486-00	DAMPER 2	1	
19	90267-48079	RIVET, blind	2	
20	97306-06025	BOLT	2	
21	92906-06100	WASHER, spring	2	
22	90201-06067	WASHER, Plate	2	
23	90480-14229	GROMMET	2	
24	90387-060A7	COLLAR	2	
25	5Y1-21441-00	BRACKET, stop switch	1	
26	92501-06012	SCREW, Pan head	1	

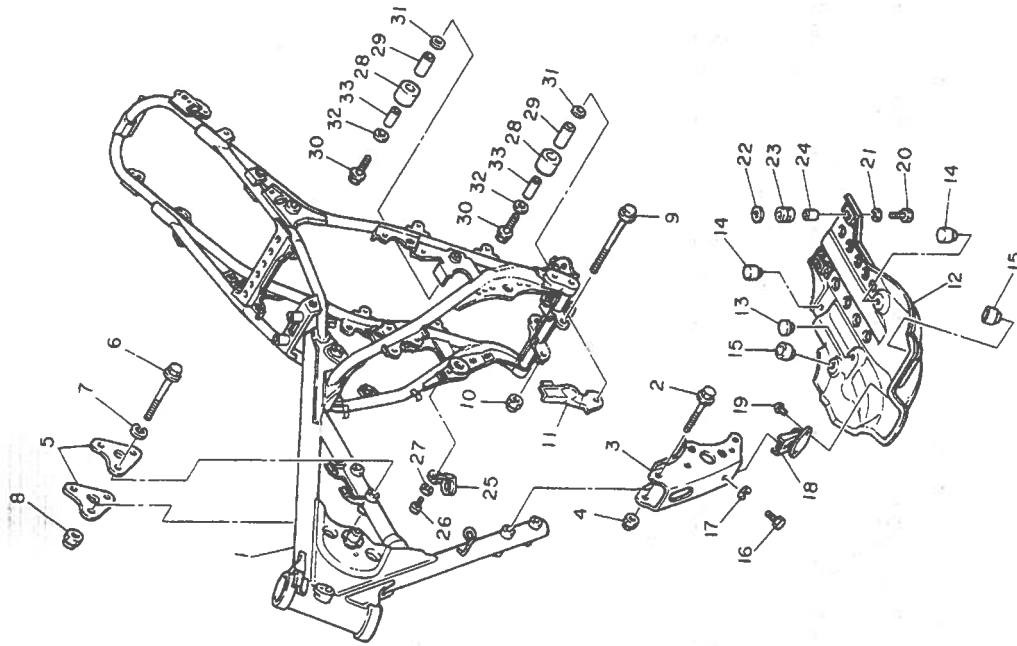


34L332 3170

C13

Fig. 17 FRAME

REF. NO.	PART NO.	DESCRIPTION	Q'TY	REMARKS
27	92990-06100	WASHER, sPring	1	
28	22W-22178-01	TENSIONER	2	
29	4V4-22184-00	BUSH	2	
30	90109-08705	BOLT	2	
31	90201-13409	WASHER, Plate	2	
32	90201-08753	WASHER, Plate	2	
33	90387-088E1	COLLAR	2	

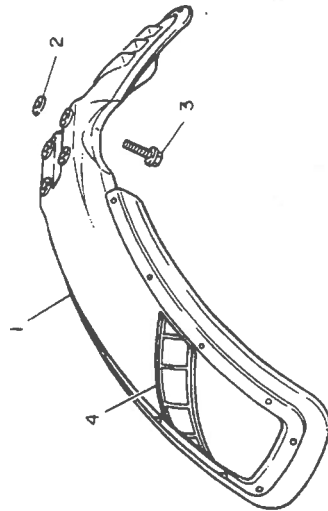
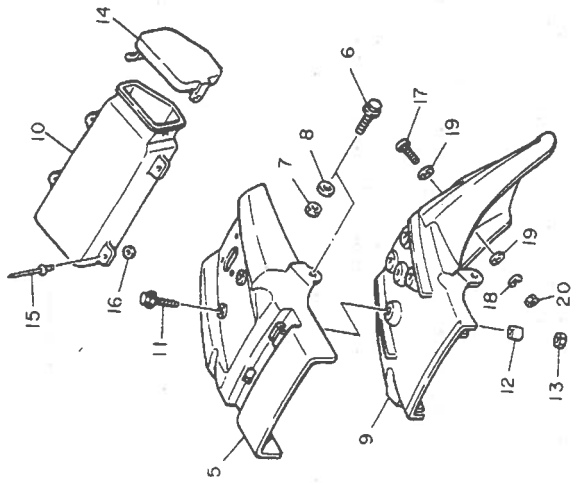


34L332-3170

C14

FIG. 18 FENDER

REF. NO.	PART NO.	DESCRIPTION	Q'TY	REMARKS
1	34L-21510-20	FRONT FENDER COMP.	1	UR sky blue NOT FOR SWISS
	34L-21510-30	FRONT FENDER COMP.	1	UR clean white
2	90209-06187	WASHER	4	
3	90119-06063	BOLT, with washer	4	
4	34L-21575-00	SEAL 1	1	UR for syb NOT FOR SWISS
	34L-21575-10	SEAL 1	1	UR for w
5	34L-21611-00	FENDER, rear	1	UR sky blue NOT FOR SWISS
	34L-21611-20	FENDER, rear	1	UR clean white
6	95806-08030	BOLT, flange	2	
7	95302-08600	NUT	2	
8	90201-08100	WASHER, Plate	2	
9	34L-21685-00	BRACKET, license	1	
10	34L-21170-00	BOX COMP.	1	
11	95806-06030	BOLT, flange	2	
12	90387-067F1	COLLAR	2	
13	95302-06600	NUT	2	
14	34L-28185-00	LID	1	
15	90267-32070	RIVET, blind	4	
16	92902-03200	WASHER	4	
17	92501-06020	SCREW, Pan head	1	
18	92902-06100	WASHER, spring	1	
19	90201-06336	WASHER, Plate	2	
20	95302-06600	NUT	1	

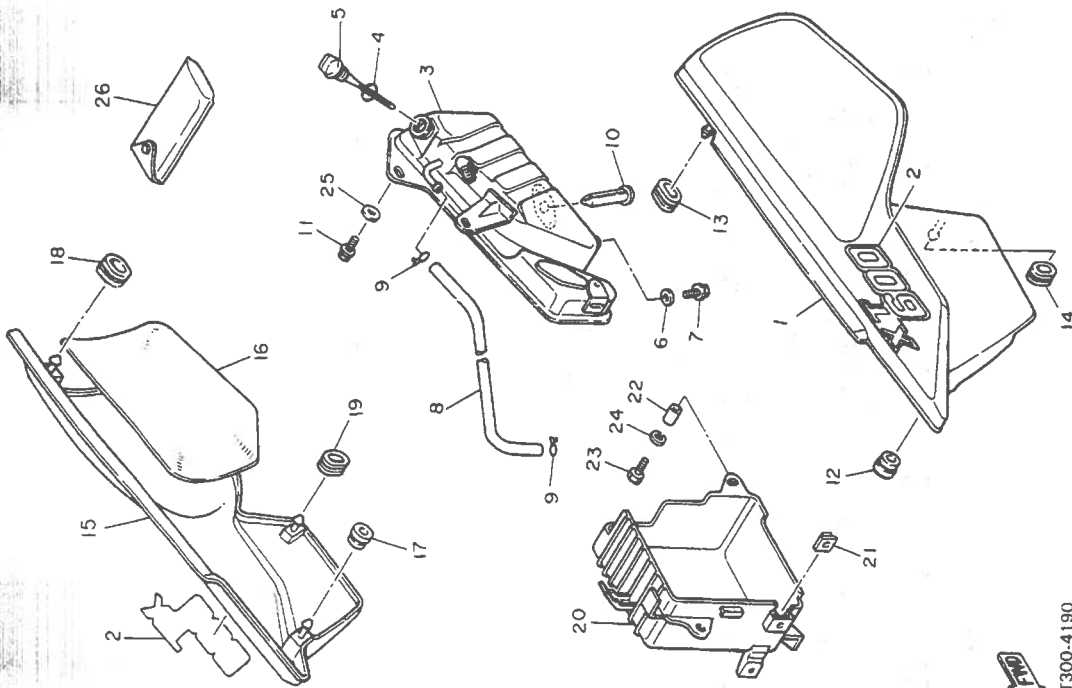


34L351-3180

C15

FIG. 19 SIDE COVER

REF. NO.	PART NO.	DESCRIPTION	Q'TY	REMARKS
1	34L-21711-00-1X	COVER, side 1—NOT FOR SWISS	1	UR sky blue/co-
	34L-21711-00-2X	COVER, side 1	1	mpetition yellow
2	34L-21781-00	EMBLEM 1	2	UR white/low g-
	34L-21781-10	EMBLEM 1	2	loss black
3	34L-21750-02	OIL TANK ASSY	1	UR for syb
4	93210-21190	O-RING	1	NOT FOR SWISS
5	34L-21761-01	GAUGE, level	1	UR for w
6	90430-08119	GASKET	1	
7	95801-08012	BOLT, flange	1	
8	90445-11753	HOSE	1	
9	90467-10008	CLIP	2	
10	34L-21756-01	NET, filter	1	
11	95822-08012	BOLT, flange	3	
12	90480-13197	GROMMET	1	
13	90480-01141	GROMMET	1	
14	90480-13383	GROMMET	1	
15	34L-21721-00-1X	COVER, side 2—NOT FOR SWISS	1	UR sky blue/co-
	34L-21721-00-2X	COVER, side 2	1	mpetition yellow
16	34L-2174A-00	INSULATOR, side cover	1	UR white/low g-
17	90480-13197	GROMMET	1	loss black
18	90480-01141	GROMMET	1	
19	90480-13383	GROMMET	1	
20	34L-2177G-00	BOX, battery	1	
21	4H7-14484-00	PLATE, cleaner case fitting	2	
22	90387-06500	COLLAR	2	
23	97301-06016	BOLT	2	
24	92990-06100	WASHER, spring	2	
25	90201-08730	WASHER, plate	1	
26				

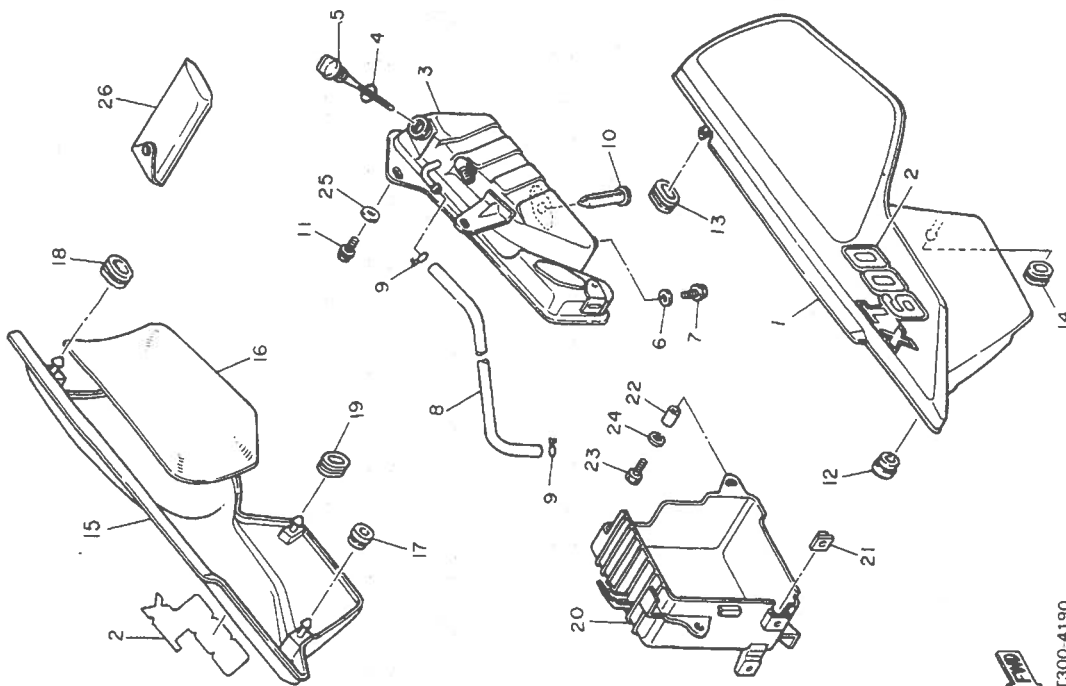


50T300-4190

D2

FIG. 19 SIDE COVER

REF. NO.	PART NO.	DESCRIPTION	Q'TY	REMARKS
26	43F-28100-00	TOOL KIT	1	

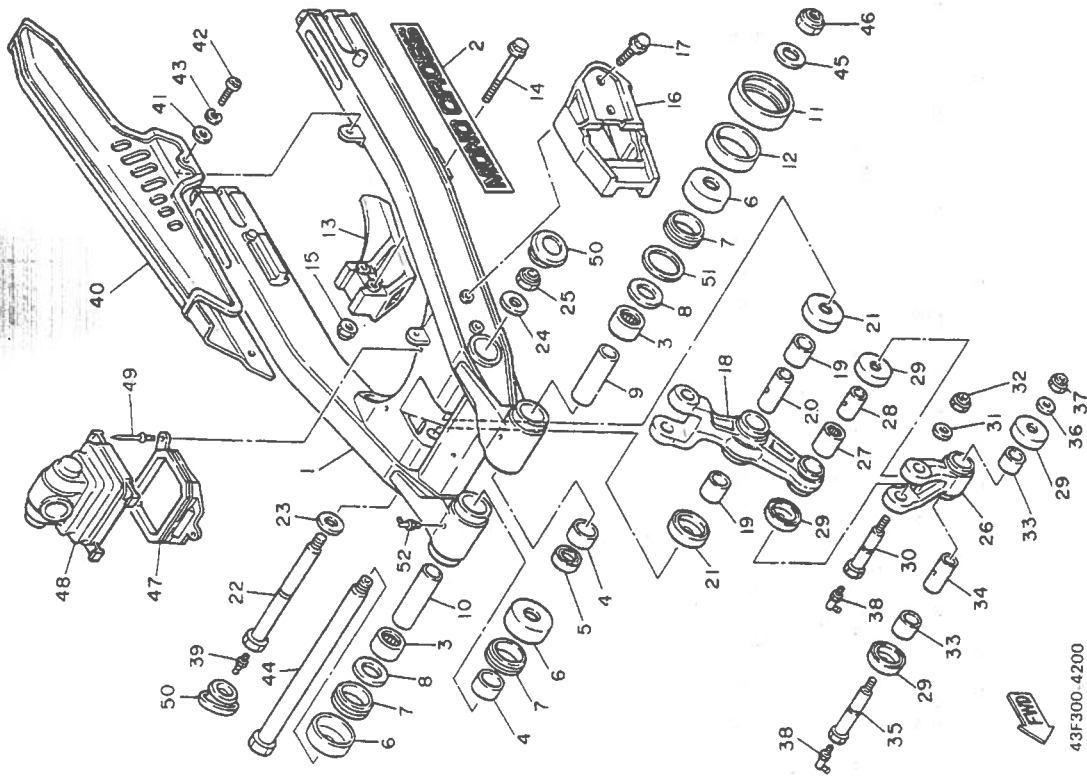


50T300-4190

D3

FIG. 20 REAR ARM

REF. NO.	PART NO.	DESCRIPTION	Q'TY	REMARKS
1	43F-22110-01	REAR ARM COMP.	1	
2	34L-2218A-00	EMBLEM, rear arm	2	UR for 6yb NOT FOR SWISS
	34L-2218A-10	EMBLEM, rear arm	2	UR for W
3	93317-32231	BEARING, cylindrical	2	
4	90380-22111	BUSH, solid	2	
5	93106-22019	OIL SEAL	1	
6	2K6-22128-01	COVER, thrust 1	3	
7	93108-35004	OIL SEAL	3	
8	90201-244A8	WASHER, Plate (1.95T)	2	
9	34L-22123-00	BUSH 1	1	
10	34L-22124-00	BUSH 2	1	
11	5X6-22151-10	SEAL, Guard	1	
12	90387-440G3	COLLAR	1	
13	34L-22153-00	GUARD, chain	1	
14	95901-06050	BOLT, flange	2	
15	95701-06500	NUT, flange	2	
16	34L-22147-00	PROTECTOR, chain	1	
17	90119-06101	BOLT, with washer	2	
18	34L-2217A-00	ARM, relay	1	
19	90386-20120	BUSH	2	
20	90380-14095	BUSH, solid	1	
21	34L-22128-00	COVER, thrust 1	2	
22	90109-120A3	BOLT	1	
23	90201-140G9	WASHER, Plate	1	
24	90201-120A5	WASHER, Plate	1	
25	90185-12119	NUT, self-locking	1	
26	34L-2217F-00	ROD, connecting 1	1	
27	93315-31732	BEARING, cylindrical	1	

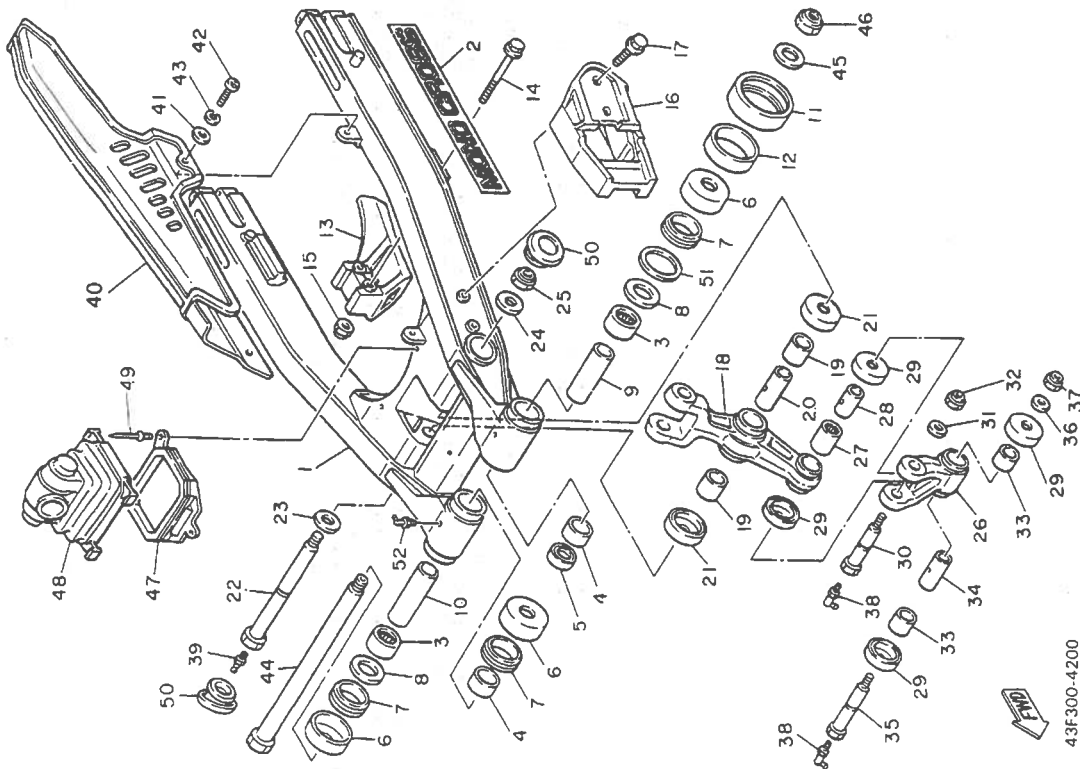


43F300.4200

D4

FIG. 20 REAR ARM

REF. NO.	PART NO.	DESCRIPTION	Q'TY	REMARKS
28	90387-121H1	COLLAR	1	
29	23X-22129-00	COVER, thrust 2	4	
30	90109-10759	BOLT	1	
31	90201-100E9	WASHER, Plate	1	
32	90185-10120	NUT, self-locking	1	
33	90386-20123	BUSH	2	
34	90387-122J6	COLLAR	1	
35	90109-10760	BOLT	1	
36	90201-10430	WASHER, Plate	1	
37	90185-10120	NUT, self-locking	1	
38	93700-06005	NIPPLE, grease	2	
39	93700-06004	NIPPLE, grease	1	
40	34L-22311-01	CASE, chain	1	
41	90201-062A8	WASHER, Plate	2	
42	92506-06012	SCREW, Pan head	2	
43	92906-06100	WASHER, spring	2	
44	34K-22141-01	SHAFT, pivot	1	
45	90201-15238	WASHER, Plate	1	
46	90185-14070	NUT, self-locking	1	
47	34L-2216G-00	SUPPORT, boot	1	
48	34L-22189-00	BOOT, rubber	1	
49	90267-32072	RIVET, blind	3	
50	34L-22117-00	CAP	2	
51	90201-251F6	WASHER, Plate	1	
52	93700-06005	NIPPLE, grease	2	



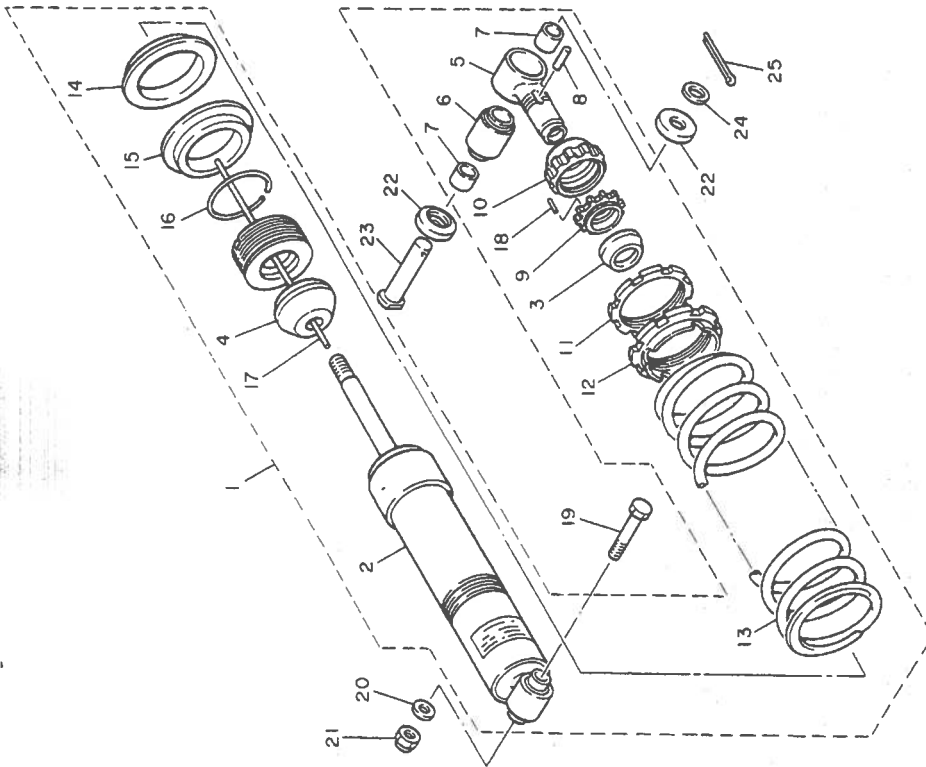
43F300-4200

D5



# REAR SUSPENSION

REF. NO.	PART NO.	DESCRIPTION	QTY	REMARKS
1	55W-22210-00-26	SHOCK ABSORBER ASSY, rear	1	UR competition yellow
	55W-22210-00-6W	SHOCK ABSORBER ASSY, rear	1	NOT FOR SWISS UR native red
2	55W-22401-00	.DAMPER SUB ASSY	1	
3	3R4-22221-01	.COVER	1	
4	50T-22493-00	.BUMP, stop	1	
5	50T-22409-00	.UPPER BRACKET SUB ASSY	1	
6	34L-22226-00	.BUSH, shock absorber lower	1	
7	90380-14130	.BUSH, solid	2	
8	93604-26132	.PIN, dowel	1	
9	50T-22497-00	.NUT, adjusting	1	
10	50T-22211-00	.COVER	1	
11	50T-22215-00	.RING, cover	1	
12	50T-22213-00	.SEAT, spring upper	1	
13	55W-22212-00-26	.SPRING — NOT FOR SWISS	1	UR competition yellow
	55W-22212-00-6W	.SPRING	1	UR native red
14	50T-22224-00	.GUIDE, spring 2	1	
15	3Y1-22223-00	.SEAT, spring lower	1	
16	93440-48079	.CIRCLIP	1	
17	93604-21193	.PIN, dowel	1	
18	93602-11144	.PIN, dowel	1	
19	90101-12498	BOLT	1	
20	90201-12362	WASHER, Plate	1	
21	90185-12080	NUT, self-locking	1	
22	34L-22129-00	COVER, thrust 2	2	
23	90240-14106	PIN, clevis	1	
24	92901-14600	WASHER	1	
25	91401-30025	PIN, cotter	1	

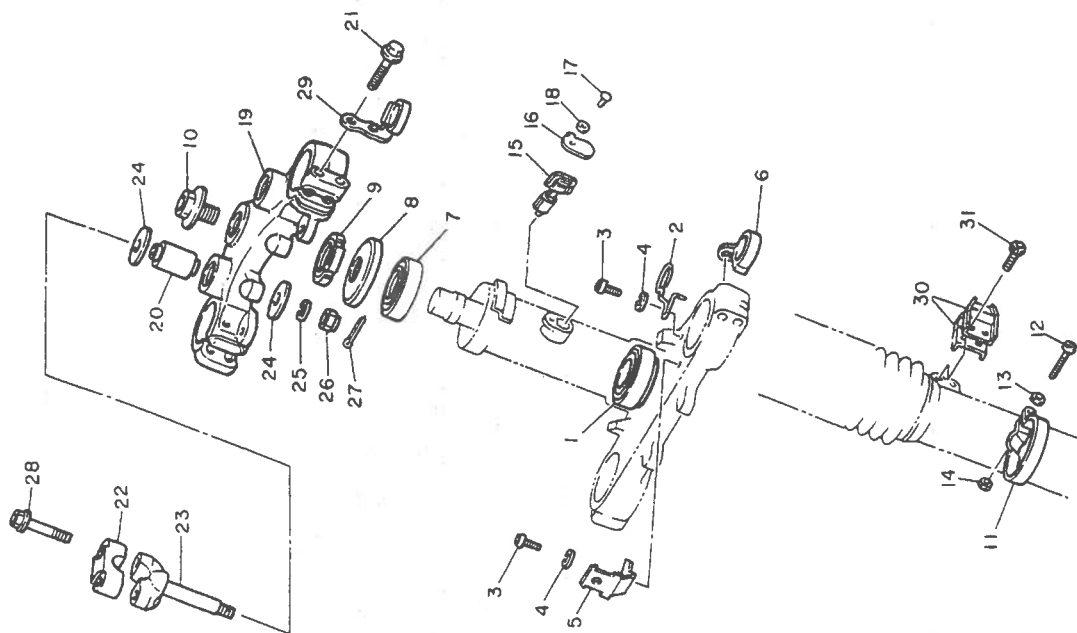


43F300-4210

D6

FIG. 22 STEERING

REF. NO.	PART NO.	DESCRIPTION	Q'TY	REMARKS
1	93332-00008	BEARING	1	
2	3Y1-2331E-00	GUIDE, cable	1	
3	92501-06012	SCREW, Pan head	2	
4	92990-06100	WASHER, sPring	2	
5	34L-2317E-00	STAY	1	
6	34L-2331E-00	GUIDE, cable	1	
7	93332-00023	BEARING	1	
8	1W1-23416-00	COVER, ball race 2	1	
9	90179-25033	NUT	1	
10	90105-14102	BOLT, washer based	1	
11	34L-23318-00	HOLDER, cable 1	1	
12	98501-05020	SCREW, Pan head	1	
13	92901-05600	WASHER, Plate	1	
14	95301-06600	NUT	1	
15	*	STEERING LOCK ASSY	1	LM
16	134-23484-10	CAP, handle lock	1	
17	90269-04003	RIVET	1	
18	90208-04029	WASHER, conical sPring	1	
19	34L-23435-00-98	CROWN, handle	1	low gloss black
20	5A8-23434-00	HOLDER, damPer	2	
21	95826-08040	BOLT, flange	4	
22	1E6-23441-00	HOLDER, handle upper	2	
23	3Y6-23442-00-98	HOLDER, handle lower	2	low gloss black
24	90201-10141	WASHER, Plate	4	
25	92901-10100	WASHER, sPring	2	
26	95301-10700	NUT	2	
27	90468-12006	CLIP	2	
28	95826-08035	BOLT, flange	4	

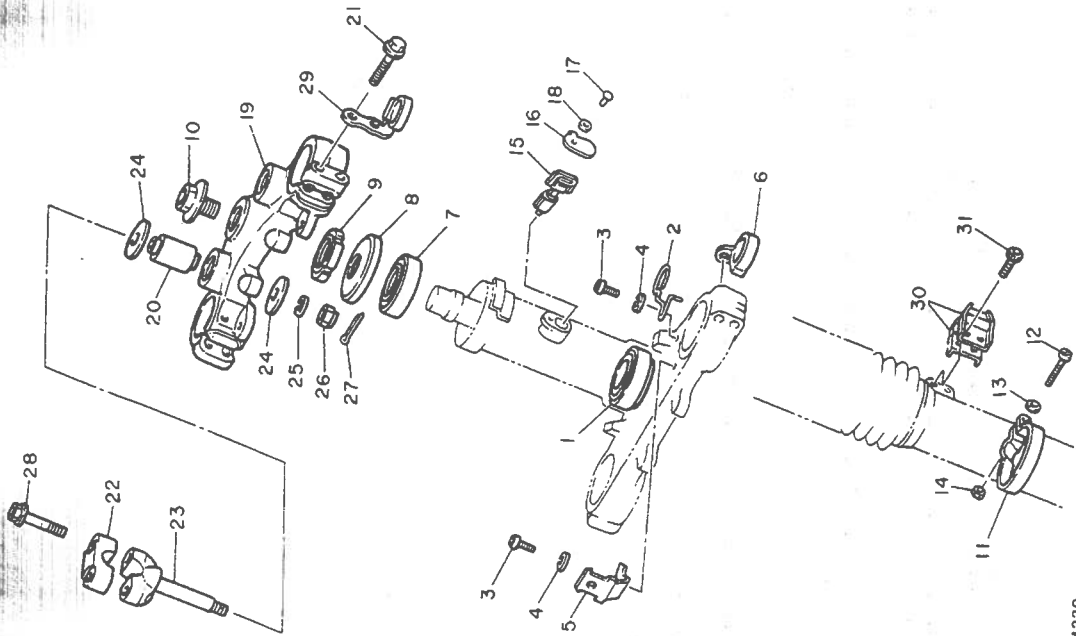


50T300-4220

D7

FIG. 22 STEERING

REF. NO.	PART NO.	DESCRIPTION	Q'TY	REMARKS
29	34L-23389-00	GUIDE, cable	1	
30	90465-14192	CLAMP	2	
31	91316-06012	BOLT	2	

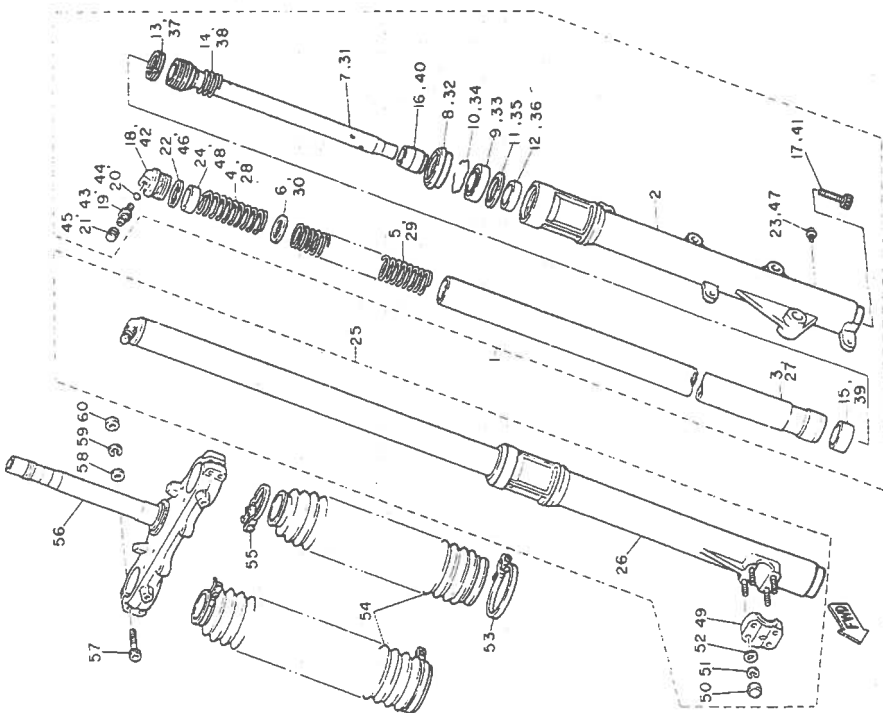


50T300-4220

D8

FIG. 23 FRONT FORK

REF. NO.	PART NO.	DESCRIPTION	Q'TY	REMARKS
1	55W-23102-00	FRONT FORK ASSY (L.H)	1	
2	55W-23106-00	•OUTER TUBE COMP. (L.H)	1	
3	50T-23110-00	•INNER TUBE COMP.1	1	
4	55W-23351-00	•SPRING	1	
5	55W-23141-00	•SPRING, front fork	1	
6	34L-23142-00	•SEAT, spring upper	1	
7	55W-23170-00	•CYLINDER COMP., front fork	1	
8	34L-23144-00	•SEAL, dust	1	
9	34L-23145-00	•OIL SEAL	1	
10	34L-23153-00	•RING, snap	1	
11	34L-23147-00	•O-RING	1	
12	34L-23135-00	•METAL, slide 2	1	
13	55W-23157-00	•RING, Piston	1	
14	34L-23151-00	•SPRING, rebound	1	
15	55W-23171-00	•PISTON, front fork	1	
16	55W-23166-00	•SPACER, oil lock	1	
17	55W-23181-00	•BOLT, hexagon socket head	1	
18	34L-23111-00	•BOLT, cap	1	
19	5K7-23190-00	•AIR VALVE COMP.	1	
20	3H3-23147-00	•O-RING	1	
21	4V1-23184-L0	•CAP, air valve	1	
22	34L-23114-00	•GASKET	1	
23	1E7-23119-00	•PLUG, drain	1	
24	50T-23118-00	•SPACER	1	
25	55W-23103-00	FRONT FORK ASSY (R.H)	1	
26	55W-23107-00	•OUTER TUBE COMP. (R.H)	1	
27	50T-23110-00	•INNER TUBE COMP.1	1	
28	55W-23351-00	•SPRING	1	

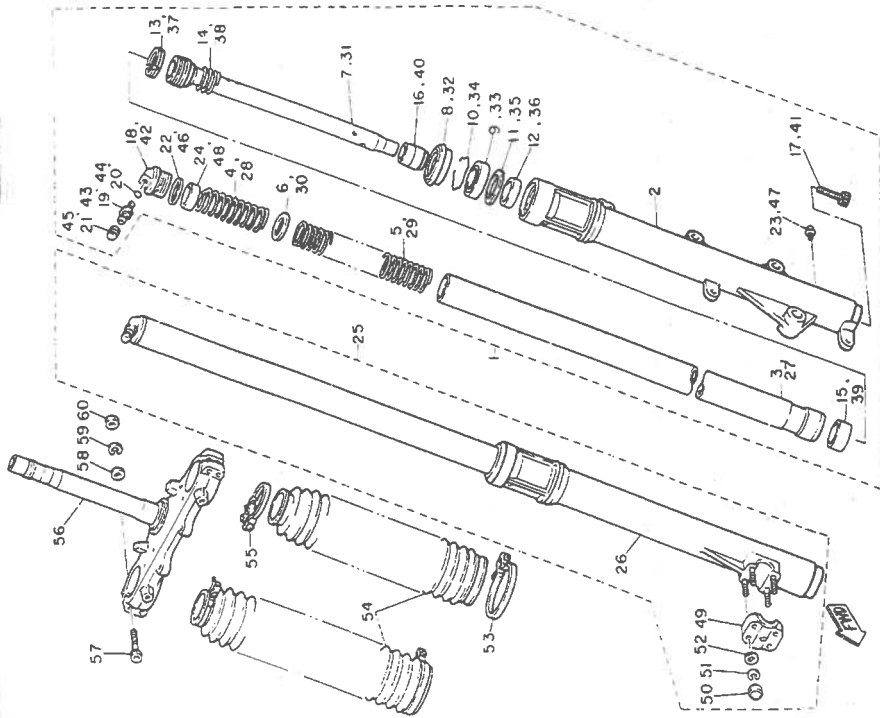


55W351-5230

D9

FIG. 23 FRONT

REF. NO.	PART NO.	DESCRIPTION	Q'TY	REMARKS
29	55W-23141-00	•SPRING, front fork	1	
30	34L-23142-00	•SEAT, spring upper	1	
31	55W-23170-00	•CYLINDER COMP., front fork	1	
32	34L-23144-00	•SEAL, dust	1	
33	34L-23145-00	•OIL SEAL	1	
34	34L-23153-00	•RING, snap	1	
35	34L-23147-00	•O-RING	1	
36	34L-23135-00	•METAL, slide 2	1	
37	55W-23157-00	•RING, piston	1	
38	34L-23151-00	•SPRING, rebound	1	
39	55W-23171-00	•PISTON, front fork	1	
40	55W-23166-00	•SPACER, oil lock	1	
41	55W-23181-00	•BOLT, hexagon socket head	1	
42	34L-23111-00	•BOLT, cap	1	
43	5K7-23190-00	•AIR VALVE COMP.	1	
44	3H3-23147-00	•O-RING	1	
45	4V1-23184-L0	•CAP, air valve	1	
46	34L-23114-00	•GASKET	1	
47	1E7-23119-00	•PLUG, drain	1	
48	50T-23118-00	•SPACER	1	
49	34L-23167-00	•HOLDER, axle	1	
50	95301-06800	•NUT, crown	4	
51	92990-06100	•WASHER, spring	4	
52	92901-06200	•WASHER, Plain	4	
53	34L-23489-00	BAND	2	
54	34L-23191-00	BOOT	2	UR competition yellow NOT FOR SWISS
	34L-23191-10	BOOT	2	UR chaPPy red
55	34L-23192-00	BAND	2	

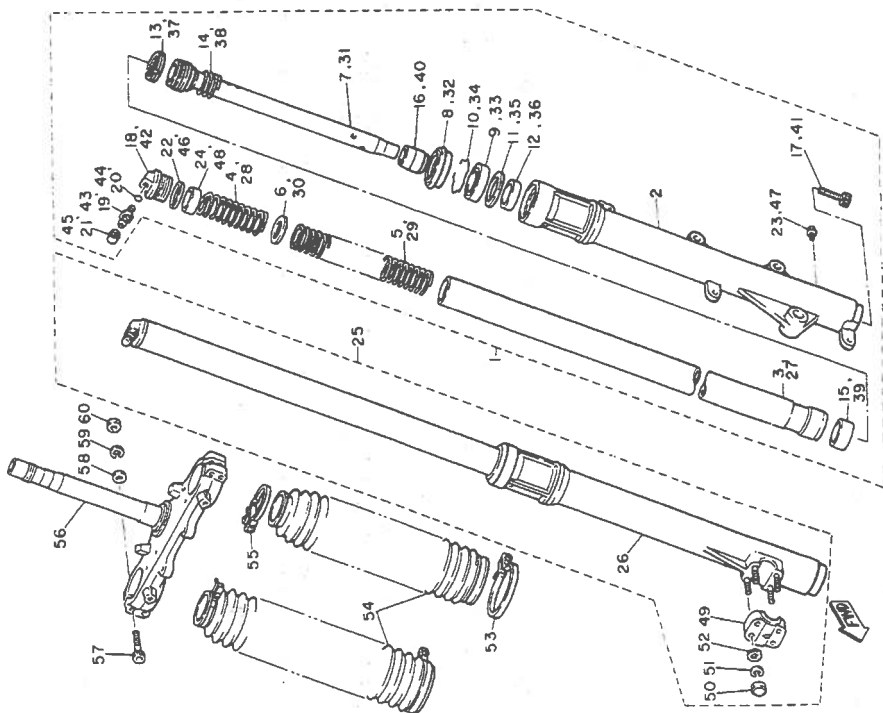


55W351-5230



FIG. 23 FRONT FORK

REF. NO.	PART NO.	DESCRIPTION	Q'TY	REMARKS
56	34L-23340-20-39	UNDER BRACKET COMP.	1	clear no buffing
57	34L-23181-00	BOLT, hexagon socket head	4	
58	92901-08600	WASHER, Plate	2	
59	92901-08100	WASHER, spring	4	
60	95311-08600	NUT	4	

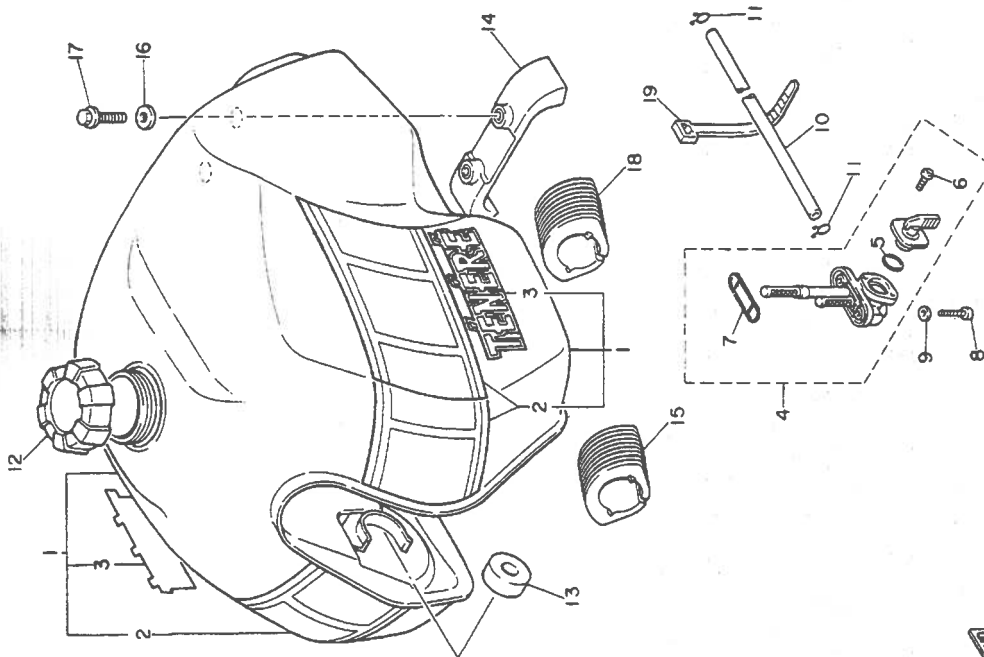


55W351-5230

D11

FIG. 24 FUEL TANK

REF. NO.	PART NO.	DESCRIPTION	Q'TY	REMARKS
1	34L-24110-01-06	FUEL TANK COMP.	1	UR sky blue NOT FOR SWISS
	34L-24110-01-07	FUEL TANK COMP.	1	UR white
2	55W-24240-00	•GRAPHIC SET	1	UR for syb NOT FOR SWISS
	55W-24240-10	•GRAPHIC SET	1	UR for w
3	34L-24161-00	•EMBLEM 1	2	UR for syb NOT FOR SWISS
	34L-24161-10	•EMBLEM 1	2	UR for w
4	55W-24500-00	FUEL COCK ASSY 1	1	
5	4X8-24534-00	•SEAL, cock	1	
6	97801-03008	•SCREW, Pan head	2	
7	4X8-24512-00	•GASKET	1	
8	90149-06011	SCREW	2	
9	90202-06010	WASHER, Plate	2	
10	34L-24311-00	PIPE, fuel 1	1	
11	90467-09006	CLIP	2	
12	34L-24610-01	CAP ASSY	1	
13	156-24181-00	DAMPER, locating 1	2	
14	34L-24182-00	DAMPER, locating 2	1	
15	34L-24183-00	DAMPER, locating 3	2	
16	90201-060H4	WASHER, Plate	2	
17	95801-06012	BOLT, flange	2	
18	34L-24184-00	DAMPER, locating 4	2	
19	12R-82591-00	BAND	2	

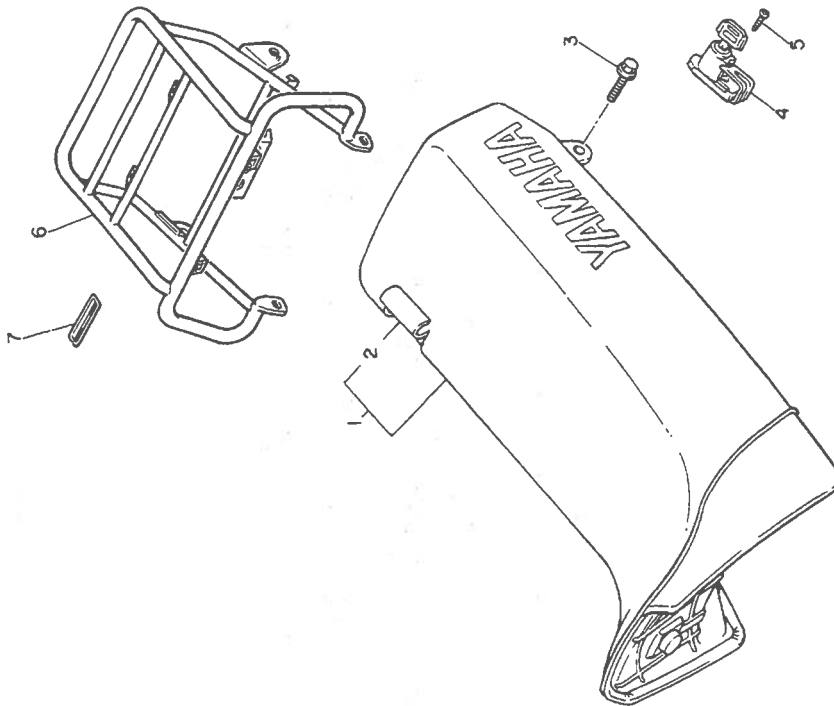


55W351-5240

D12

FIG. 25 SEAT

REF. NO.	PART NO.	DESCRIPTION	Q'TY	REMARKS
1	55W-24770-00	SEMI-DOUBLE SEAT ASSY	1	UR blue NOT FOR SWISS
	55W-24770-10	SEMI-DOUBLE SEAT ASSY	1	UR chappy red
2	55W-24731-00	COVER, seat	1	UR blue NOT FOR SWISS
	55W-24731-10	COVER, seat	1	UR chappy red
3	95806-06016	BOLT, flange	2	
4	1E6-21308-00	HELMET HANGER ASSY	1	
5	92701-06015	SCREW, flat head	1	
6	55W-24830-00-98	SUB CARRIER ASSY	1	low gloss black
7	55V-24877-00	LABEL, caution	1	



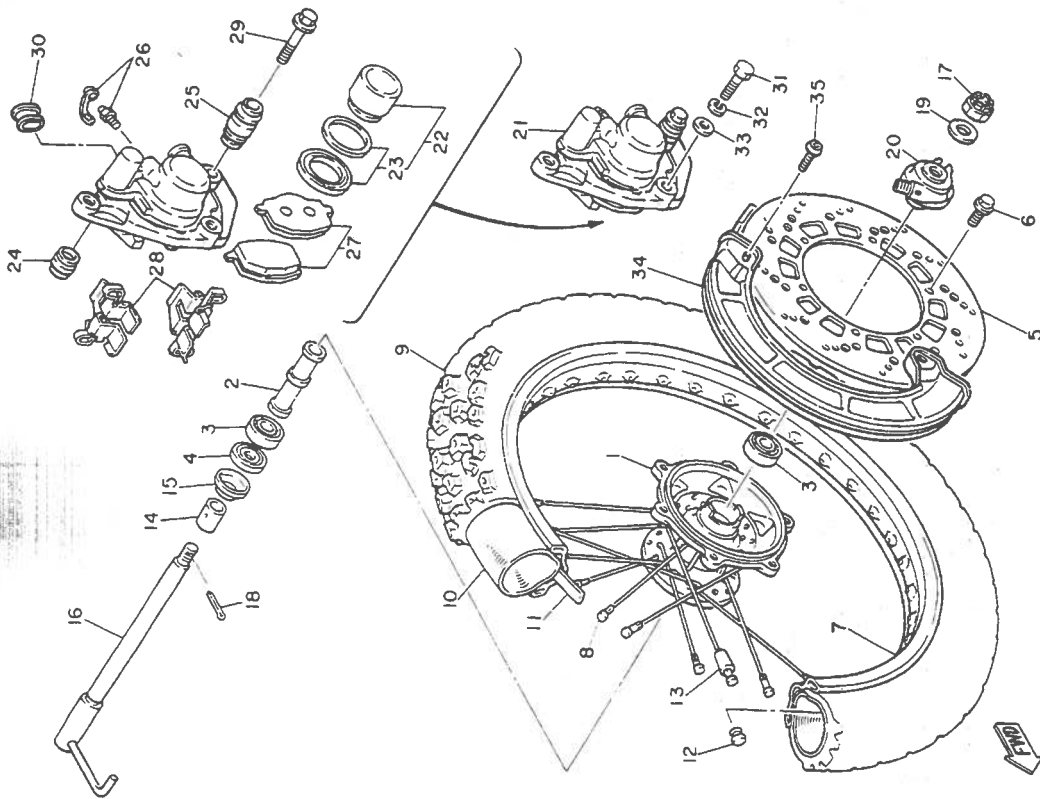
55W361-5250

D13



26 FRONT WHEEL

REF. NO.	PART NO.	DESCRIPTION	Q'TY	REMARKS
1	34L-25111-00-98	HUB, front	1	low gloss black
2	90560-15240	SPACER	1	
3	93306-20209	BEARING (B6202)	2	
4	93102-20281	OIL SEAL	1	
5	55W-25831-00	DISC, brake (RIGHT)	1	
6	90109-06757	BOLT	6	
7	94416-21367	RIM (1.60-21)	1	gold
8	34L-25104-00	SPOKE SET, front	1	
9	94130-214F7	TIRE (3.00-21)	1	bridgestone
10	94227-21123	TUBE (2.75-21)	1	bridgestone
11	94330-21084	BAND, rim (3.00-21)	1	bridgestone
12	90480-10068	GRDMMET	1	
13	156-25398-00	BALANCER, wheel	1	UN
14	90387-152J3	COLLAR	1	
15	322-25118-00	COVER, hub dust	1	
16	34L-25181-00	AXLE, wheel	1	
17	90171-14020	NUT, castle	1	
18	91401-30030	PIN, cotter	1	
19	90201-15785	WASHER, Plate	1	
20	34L-25190-00	GEAR UNIT ASSY	1	
21	55W-25810-10	CALIPER ASSY (LEFT)	1	
22	55W-W0057-00	.PISTON ASSY, caliper	1	
23	55W-W0047-00	.CALIPER SEAL KIT	1	
24	5R2-25917-00	.BOOT, caliper	1	
25	34X-25937-00	.BOOT 2	1	
26	51L-W0048-00	.BREED SCREW KIT	1	
27	55W-W0045-00	.BRAKE PAD KIT, front	1	
28	55W-25919-00	.SUPPORT, Pad	2	

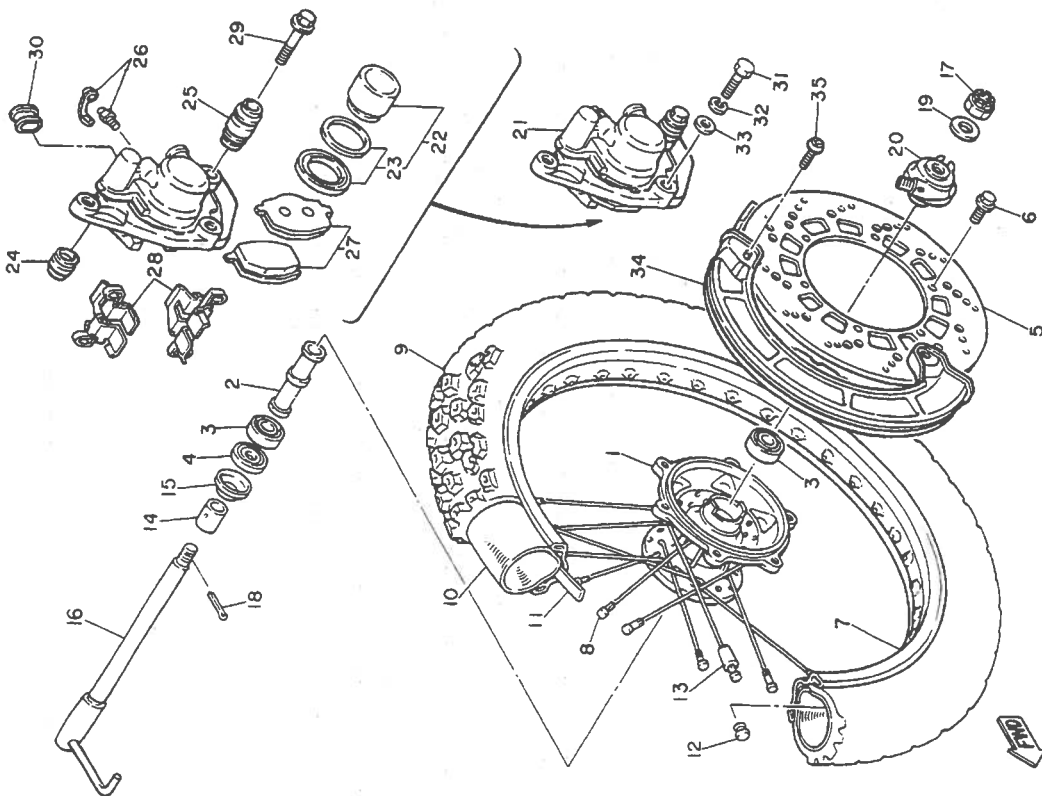


55W351-5260

D14

FIG. 26 FRONT WHEEL

REF. NO.	PART NO.	DESCRIPTION	Q'TY	REMARKS
29	34X-25926-00	•BOLT	1	
30	34X-25845-00	•CAP, indicator	1	
31	90101-10308	BOLT	2	
32	92901-10100	WASHER, spring	2	
33	92901-10200	WASHER, Plain	2	
34	55W-25715-00	COVER 1	1	
35	90149-06194	SCREW	2	

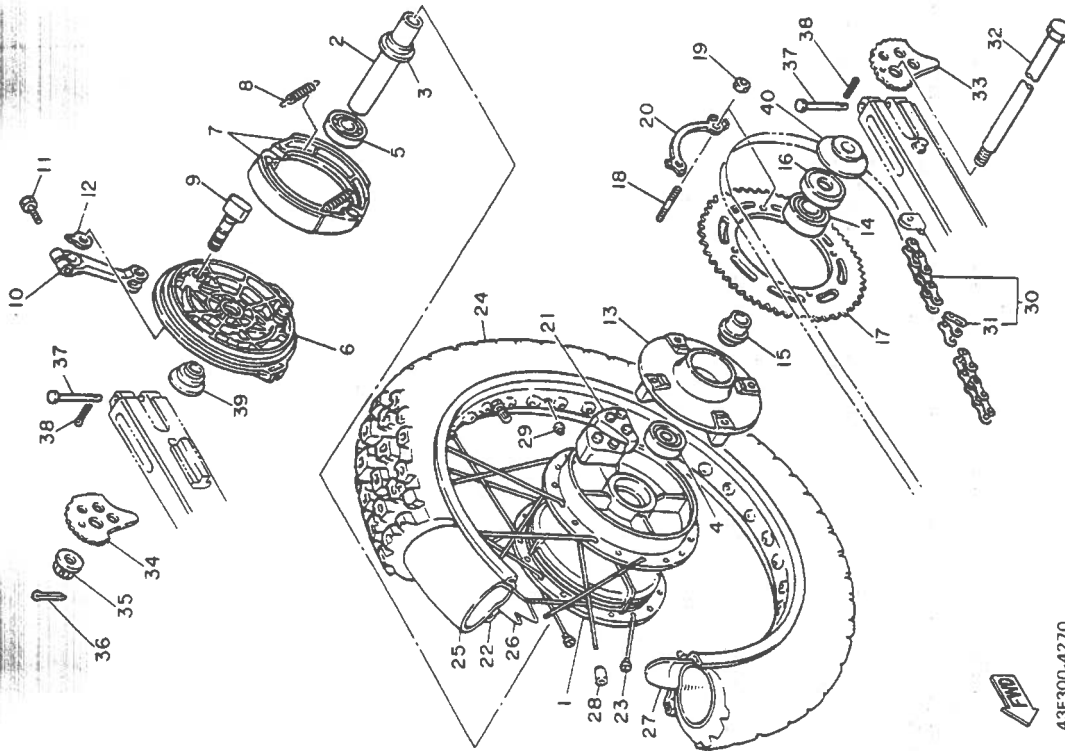


55W351-5260

**D15**

FIG. 27 REAR WHEEL

REF. NO.	PART NO.	DESCRIPTION	Q'TY	REMARKS
1	5Y1-25311-00-98	HUB, rear	1	low gloss black
2	5X4-25317-00	SPACER, bearing	1	
3	146-25315-00	FLANGE, spacer	1	
4	93306-20316	BEARING (B6203)	1	
5	93306-20310	BEARING (B6203DU)	1	low gloss black
6	34L-25321-00-98	PLATE, brake shoe	1	
7	5Y1-25330-00	BRAKE SHOE COMP.	2	
8	90507-20002	SPRING, tension	2	
9	5Y1-25151-00	CAMSHAFT	1	
10	34L-26355-00	LEVER, camshaft	1	
11	90101-06291	BOLT	1	
12	4G0-2533A-00	PLATE, indicator	1	
13	5Y1-25366-00-98	CLUTCH, hub	1	low gloss black
14	93306-30423	BEARING	1	
15	5Y1-25377-00	COLLAR, wheel	1	
16	93102-30072	OIL SEAL	1	
17	43F-25440-50-33	SPROCKET, driven (40T)	1	yamaha black
18	90116-10348	BOLT, stud	4	
19	90170-10219	NUT	4	
20	5Y1-25412-00	WASHER	2	
21	5Y1-25364-00	DAMPER	4	
22	94425-18371	RIM (2.50-18)	1	gold
23	34L-25304-00	SPOKE SET, rear	1	
24	94146-184F9	TIRE (4.60-18)	1	bridgestone
25	94212-18188	TUBE (120/90-18)	1	dunlop
26	94340-18086	BAND, rim (4.00-18)	1	bridgestone
27	2X5-25394-00	SPACER, bead	1	
28	156-25398-00	BALANCER, wheel	1	UN

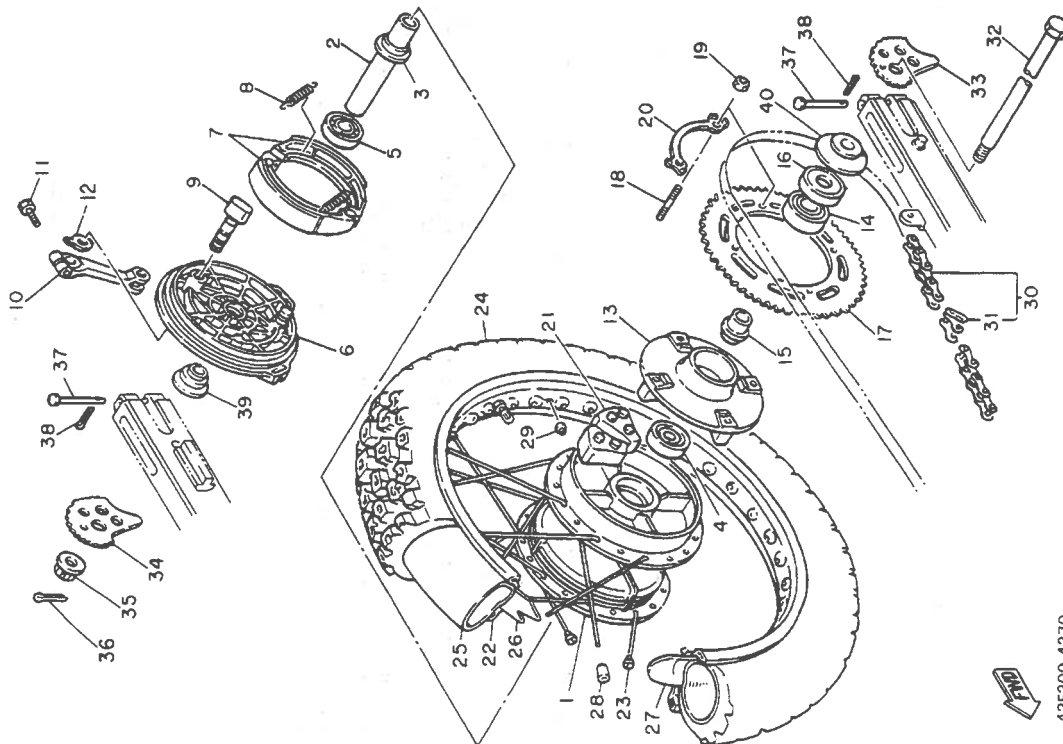


43F300-4270

E2

FIG. 27 REAR WHEEL

REF. NO.	PART NO.	DESCRIPTION	Q'TY	REMARKS
29	90480-10068	GRIMMET	1	
30	94580-40102	CHAIN	1	
31	94680-50011	•JOINT, chain (D.I.D. 50HDS)	1	
32	43F-25381-00	AXLE, wheel	1	
33	3Y1-25389-00	PULLER, chain 2	1	
34	3Y1-25388-01	PULLER, chain 1	1	
35	90171-16024	NUT, castle	1	
36	91401-30030	PIN, cotter	1	
37	91701-05055	PIN, clevis	2	
38	91401-16012	PIN, cotter	2	
39	90387-175K6	COLLAR	1	
40	43F-25383-00	COLLAR, wheel	1	

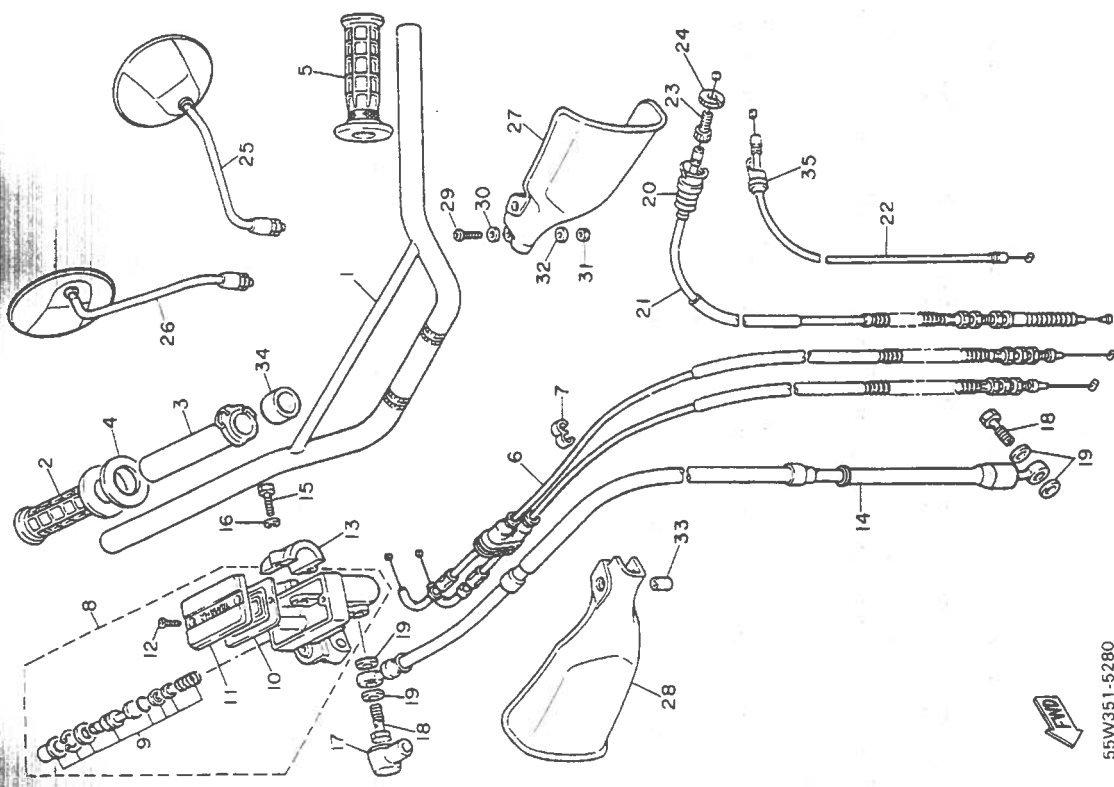


43F300-4270

E3

FIG. 28 ST. HANDLE. CABLE

REF. NO.	PART NO.	DESCRIPTION	Q'TY	REMARKS
1	34L-26111-00	HANDLEBAR	1	
2	33G-26242-00	GRIP (R.H)	1	
3	3YI-26243-01	TUBE, throttle guide	1	
4	3YI-26249-00	RING, leaf	1	
5	33G-26241-00	GRIP (L.H)	1	
6	43F-26302-01	THROTTLE CABLE ASSY	1	
7	90468-15009	CLIP	1	
8	34L-25850-00	MASTER CYLINDER ASSY	1	
9	34L-W0041-00	•CYLINDER KIT, master	1	
10	4L0-25854-00	•DIAPHRAGM, reservoir	1	
11	4L0-25852-00	•CAP, reservoir	1	
12	98706-04012	•SCREW, flat head	2	
13	4L0-25867-00	BRACKET, master cylinder	1	
14	55W-25872-00	HOSE, brake 1	1	
15	97326-06025	BOLT	2	
16	92906-06100	WASHER, spring	2	
17	4L0-25862-00	BOOT, master cylinder	1	
18	90401-10034	BOLT, union	2	
19	90201-10118	WASHER, plate	4	
20	1E6-26342-00	BOOT, cable	1	
21	34L-26335-00	CABLE, clutch	1	
22	34L-26331-00	CABLE, starter 1	1	
23	90123-08046	BOLT	1	
24	90179-08148	NUT	1	
25	55V-26280-00	BACK MIRROR ASSY (LEFT)	1	
26	55V-26290-00	BACK MIRROR ASSY (RIGHT)	1	
27	3Y0-26141-00	GUARD, brush 1	1	UR clean white
	3R9-26141-00	GUARD, brush 1	1	UR sky blue NOT FOR SWISS

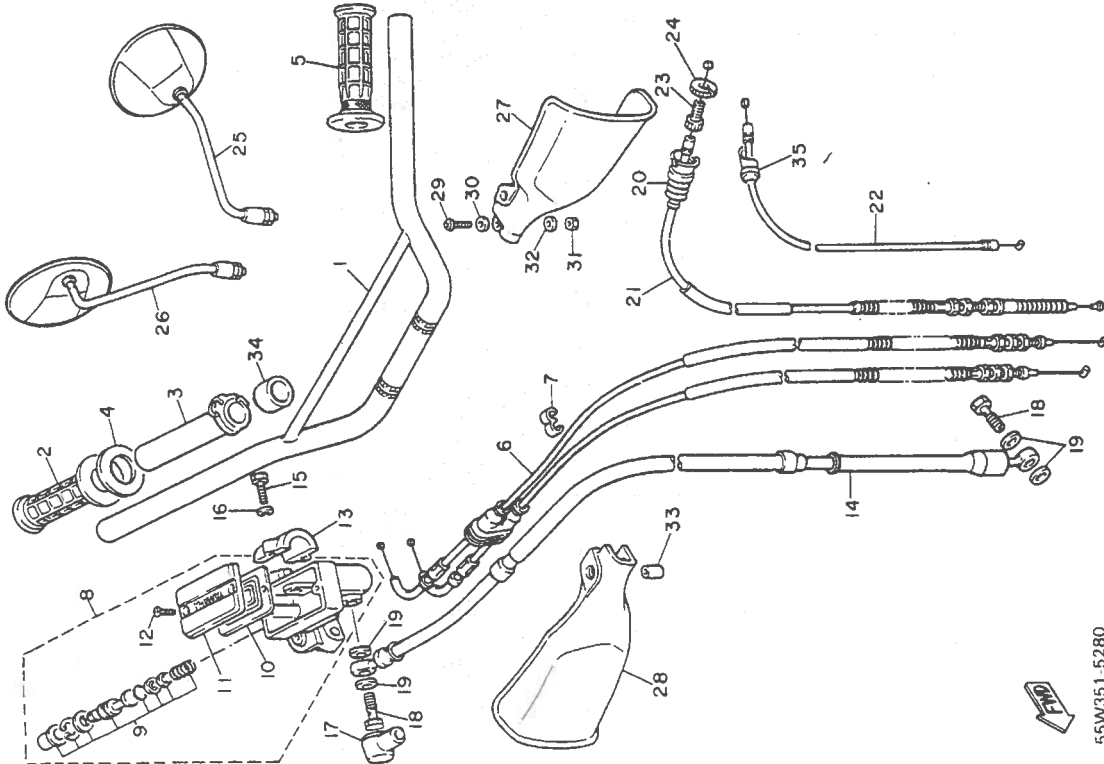


55W351-5280

E4

FIG. 28 STEERING HANDLE, CABLE

REF. NO.	PART NO.	DESCRIPTION	Q'TY	REMARKS
28	34L-26142-10	GUARD, brush 2	1	UR clean white
	34L-26142-00	GUARD, brush 2	1	UR sky blue NOT FOR SWISS
29	92501-06020	SCREW, Pan head	1	
30	90201-061A5	WASHER, Plate	1	
31	95301-06700	NUT	1	
32	92901-06200	WASHER, Plain	1	
33	90387-06500	COLLAR	1	
34	90387-227H7	COLLAR	1	
35	5Y1-26339-00	BOOT	1	

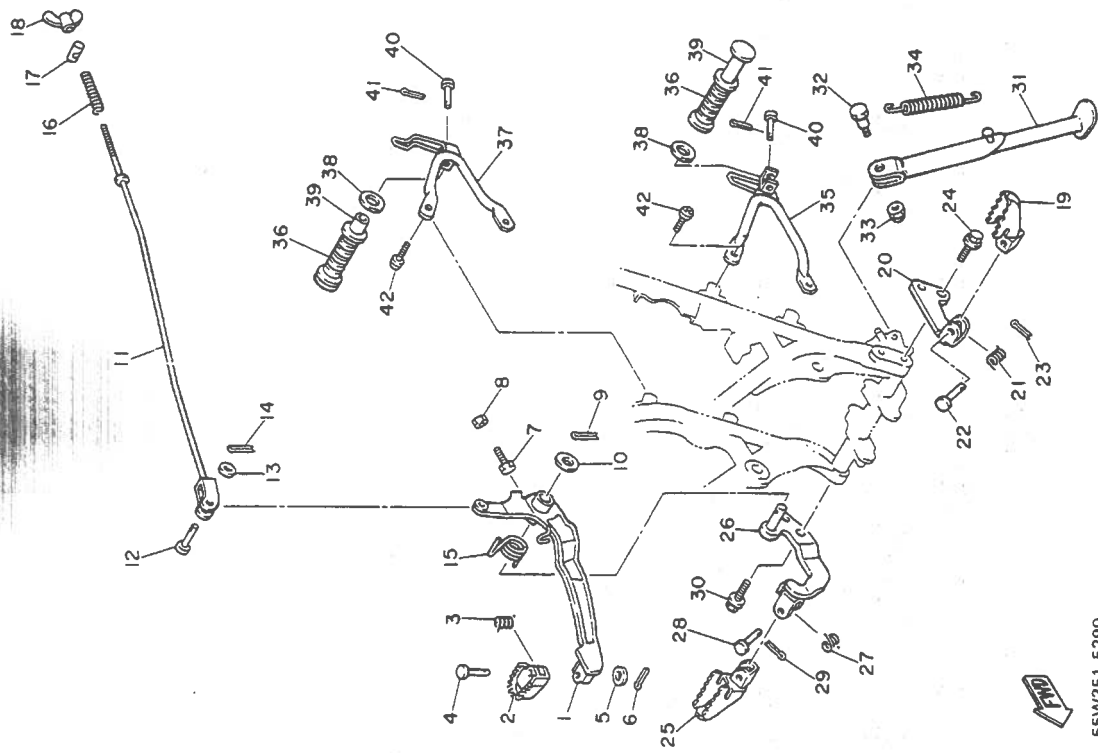


55W351-5280

**E5**

STAND, FOOTREST

REF. NO.	PART-NO.	DESCRIPTION	QTY	REMARKS
1	34L-27211-01-90	PEDAL, brake	1	uni chrome (black)
2	55V-27242-00	PEDAL, brake	1	
3	90508-14352	SPRING, torsion	1	
4	91701-06022	PIN, clevis	1	
5	90201-061A5	WASHER, Plate	1	
6	91401-20015	PIN, cotter	1	
7	90101-06288	BOLT	1	
8	95301-06600	NUT	1	
9	91401-30020	PIN, cotter	1	
10	90201-14215	WASHER, Plate	1	
11	43F-27231-00	ROD, brake	1	
12	90240-06040	PIN, clevis	1	
13	92901-06200	WASHER, Plain	1	
14	91401-20015	PIN, cotter	1	
15	90508-32690	SPRING, torsion	1	
16	90501-10245	SPRING, compression	1	
17	90249-12008	PIN	1	
18	90175-06013	NUT, wing	1	
19	22W-27411-00-90	FOOTREST 1	1	uni chrome (black)
20	34L-27412-00-R4	BRACKET, footrest 1	1	black
21	90508-20023	SPRING, torsion	1	
22	91701-08038	PIN, clevis	1	
23	91401-25015	PIN, cotter	1	
24	95821-10025	BOLT, flange	2	
25	22W-27421-00-90	FOOTREST 2	1	uni chrome (black)
26	34L-27422-01-R4	BRACKET, footrest 2	1	black
27	90508-20023	SPRING, torsion	1	
28	91701-08038	PIN, clevis	1	

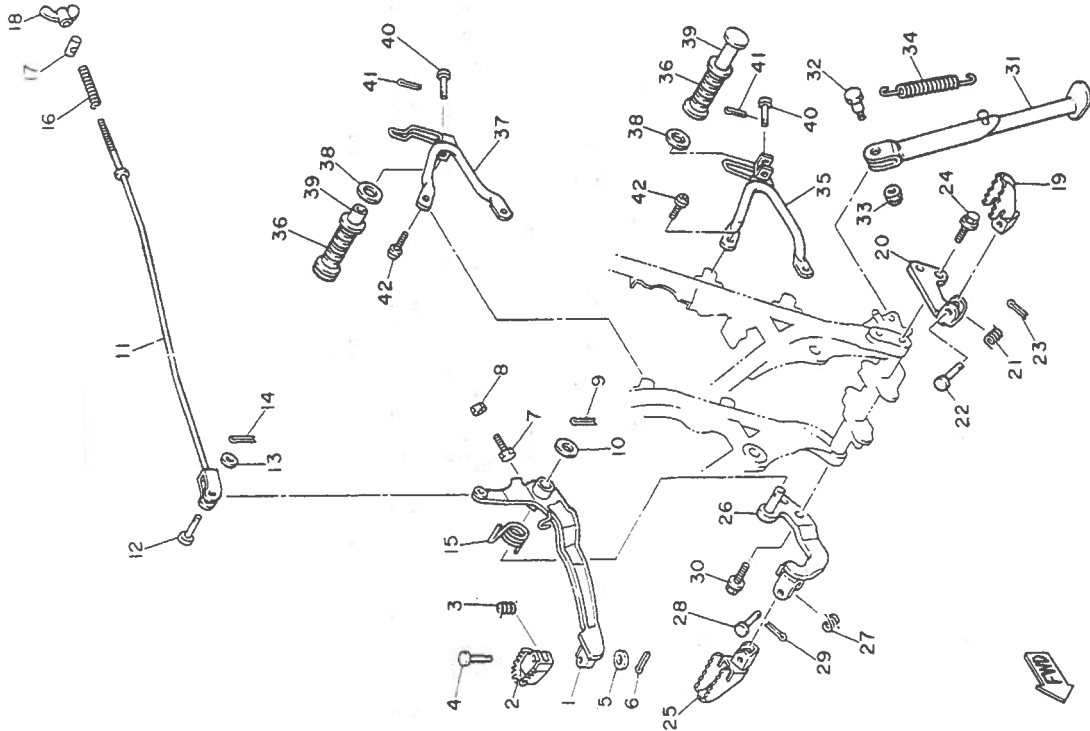


55W/351-5290

E6

FIG. 29 STAND, FOOTREST

REF. NO.	PART NO.	DESCRIPTION	Q'TY	REMARKS
29	91401-25015	PIN, cotter	1	
30	95821-10025	BOLT, flange	2	
31	55W-27311-00-R4	STAND, side	1	black
32	90109-124A7	BOLT	1	
33	90185-12119	NUT, self-locking	1	
34	90507-29009	SPRING, tension	1	
35	26F-27432-00-FH	BRACKET 1	1	UR fire red
	26F-27432-00-G8	BRACKET 1	1	UR sky blue NOT FOR SWISS
36	120-27433-00	COVER, rear footrest	2	
37	50T-27442-00-FH	BRACKET 2	1	UR fire red
	50T-27442-00-G8	BRACKET 2	1	UR sky blue NOT FOR SWISS
38	90201-20279	WASHER, Plate	2	
39	120-27431-00	FOOTREST, rear 1	2	
40	90240-06009	PIN, clevis	2	
41	91401-16015	PIN, cotter	2	
42	90109-08789	BOLT	4	



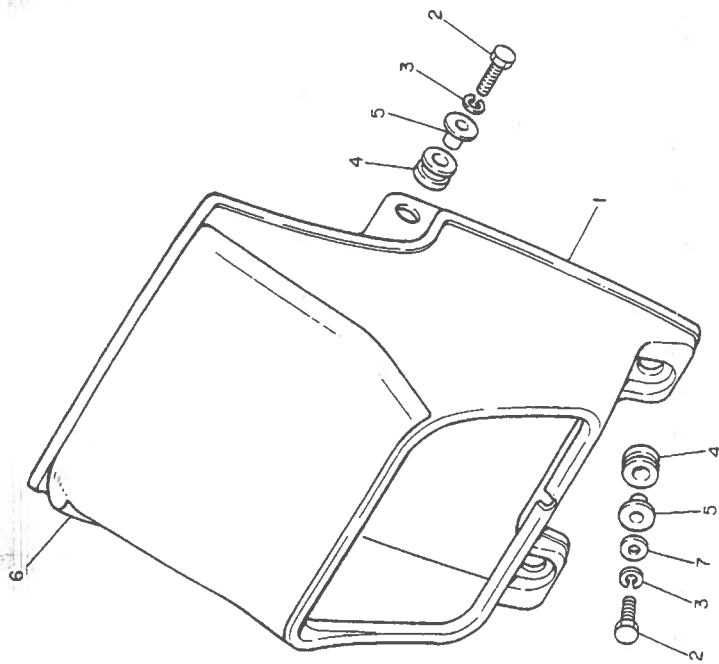
55W351-5290

E7



FIG. 30 COWLING 1

REF. NO.	PART NO.	DESCRIPTION	Q'TY	REMARKS
1	17F-28351-00-68	BODY, cowling	1	UR sky blue NOT FOR SWISS
	17F-28351-00-36	BODY, cowling	1	UR clean white
2	97306-06025	BOLT	4	
3	92906-06100	WASHER, spring	4	
4	90480-14023	GRDMMET	4	
5	90387-067F1	COLLAR	4	
6	34L-28368-00	EMBLEM	1	UR for svb NOT FOR SWISS
	34L-28368-10	EMBLEM	1	UR for w
7	90201-06059	WASHER, plate	2	

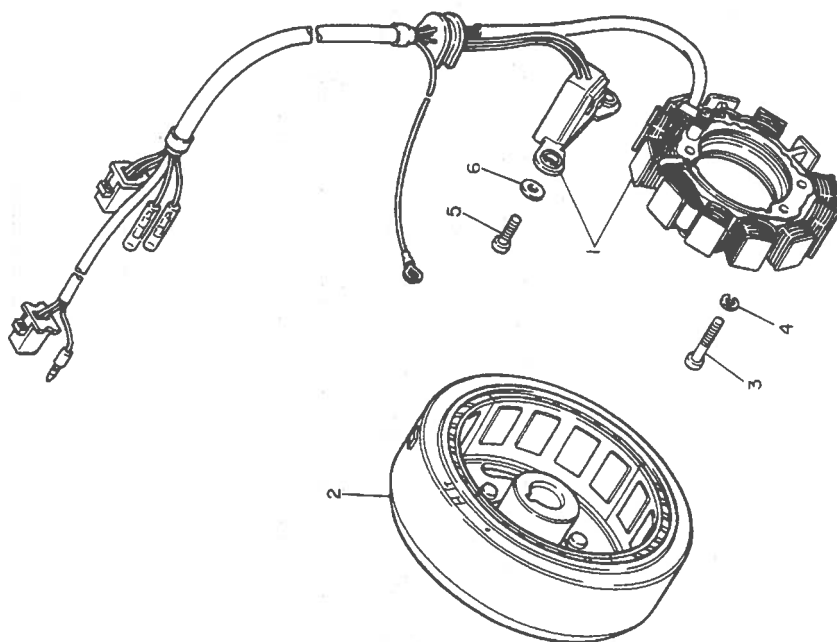


341.332 3300

E8

FIG. 31 GENERATOR

REF. NO.	PART NO.	DESCRIPTION	Q'TY	REMARKS
1	34L-81410-50	STATOR ASSY	1	
2	34L-81450-50	ROTOR ASSY	1	
3	92502-06035	SCREW, Pan head	4	
4	92902-06100	WASHER, sPring	4	
5	92501-06020	SCREW, Pan head	2	
6	90201-06674	WASHER, Plate	2	

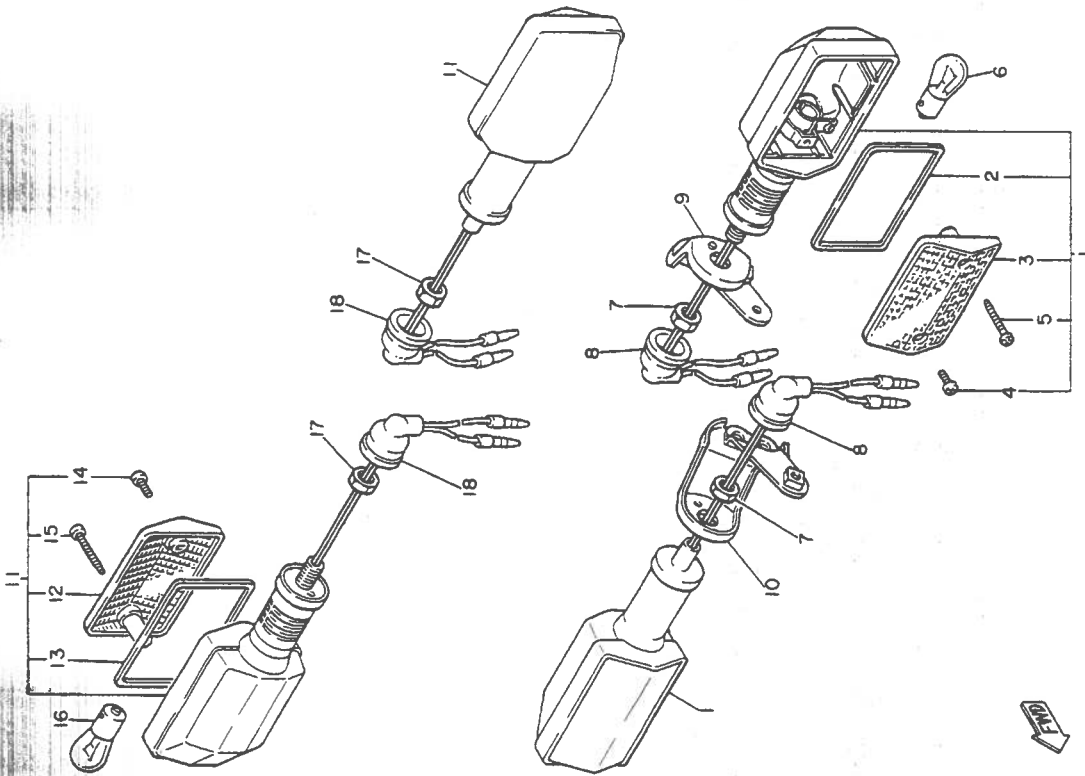


 43F300-4310

**E9**

FIG. 32 FLASHER

REF. NO.	PART NO.	DESCRIPTION	Q'TY	REMARKS
1	34L-83310-20	FRONT-FLASHER LIGHT ASSY 1	2	
2	5Y1-83313-00	•GASKET, flasher lens	1	
3	10V-83312-00	•LENS, flasher	1	
4	98511-04012	•SCREW, Pan head	1	
5	97701-40530	•SCREW, tapping	1	
6	*	BULB, flasher (12V-21W)	2	LM
7	95302-12700	NUT	2	
8	18G-83365-00	CAP	2	
9	50T-83318-00	STAY, flasher 1	1	
10	50T-83328-00	STAY, flasher 2	1	
11	37A-83330-20	REAR FLASHER LIGHT ASSY 1	2	
12	10V-83312-00	•LENS, flasher	1	
13	5Y1-83313-00	•GASKET, flasher lens	1	
14	98511-04012	•SCREW, Pan head	1	
15	97701-40530	•SCREW, tapping	1	
16	*	BULB, flasher (12V-21W)	2	LM
17	95302-12700	NUT	2	
18	18G-83365-00	CAP	2	

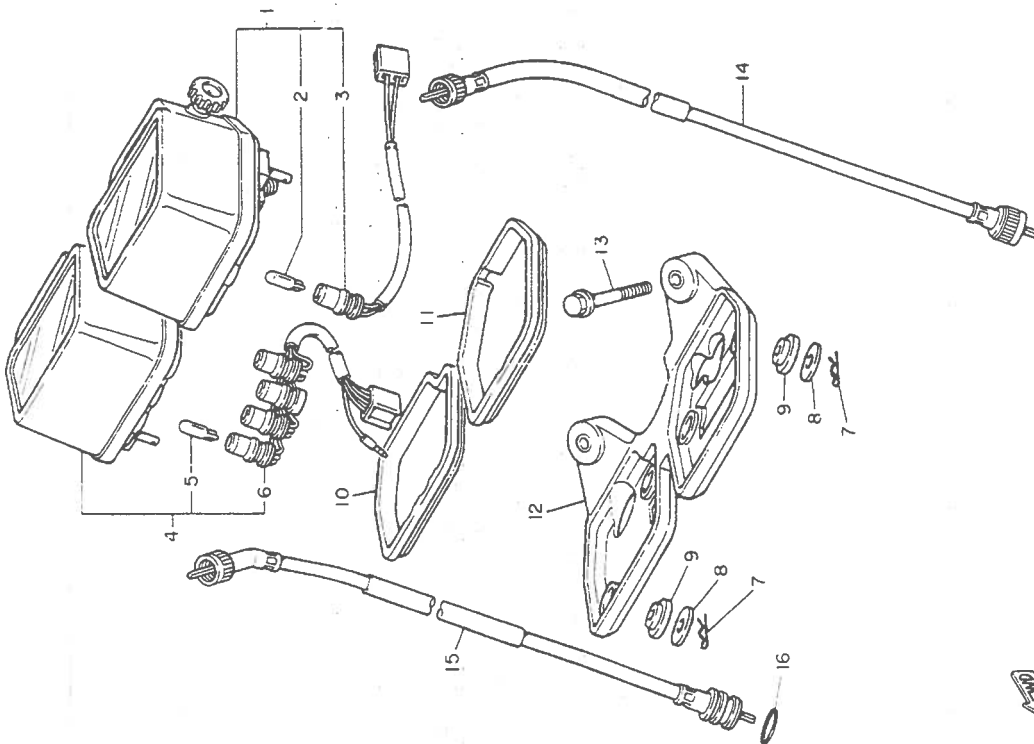


55W351-5320

**E10**

FIG. 33 METER

REF. NO.	PART NO.	DESCRIPTION	Q'TY	REMARKS
1	34L-83570-F0	SPEEDOMETER ASSY	1	
2	4G1-84744-00	BULB (12V 3.4W)	1	
3	5Y1-83536-00	SOCKET, meter	1	
4	34L-83540-00	TACHOMETER ASSY	1	
5	4G1-84744-00	BULB (12V 3.4W)	4	
6	5Y1-83520-00	SOCKET CORD ASSY	1	
7	437-83525-00	CLIP	4	
8	90201-05033	WASHER, Plate	4	
9	1M1-83526-00	DAMPER 2	4	
10	5Y1-83541-00	DAMPER	1	
11	5Y1-83513-00	DAMPER	1	
12	5Y1-83519-00	BRACKET, meter	1	
13	95806-06035	BOLT, flange	2	
14	48Y-83550-00	SPEEDOMETER CABLE ASSY	1	
15	34L-83560-00	TACHOMETER CABLE ASSY	1	
16	93210-14104	O-RING	1	

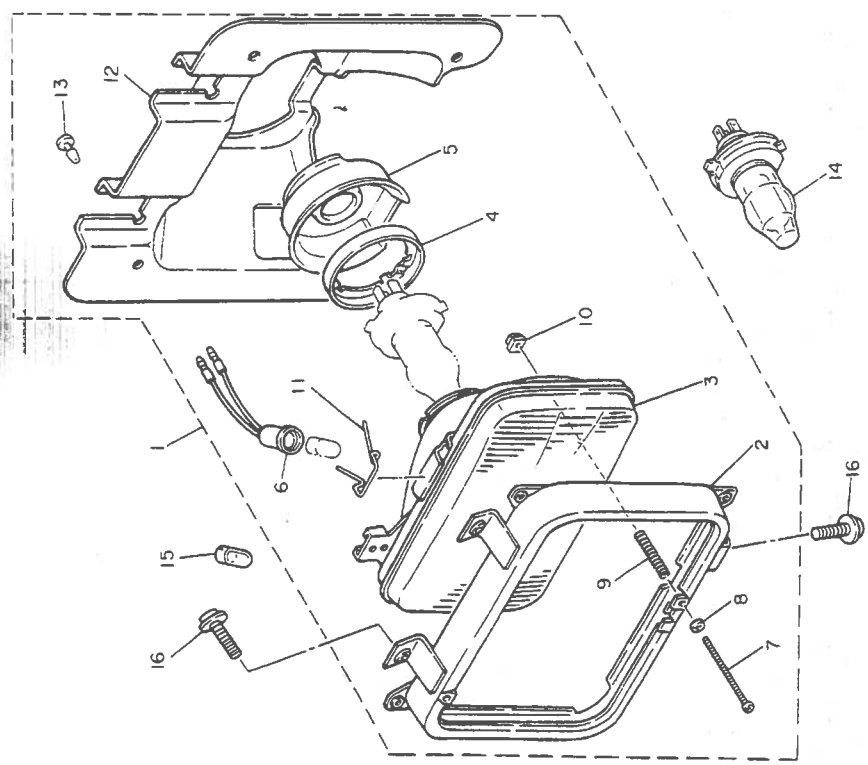


43F300-4330

**E11**

FIG. 53

REF. NO.	PART NO.	DESCRIPTION	Q'TY	REMARKS
1	34L-84309-F0	HEADLIGHT UNIT ASSY	1	
2	10V-84115-00	.RIM, headlight	1	
3	34L-84321-G0	.LENS, headlight	1	
4	2F9-84375-00	.FITTING PLATE, bulb	1	
5	2F9-84397-01	.COVER, socket	1	
6	34L-84348-00	.SOCKET, Pilot light	1	
7	98506-05012	.SCREW, Pan head	2	
8	233-84127-60	.WASHER, special	2	
9	5G2-84332-60	.SPRING, screw	2	
10	198-84334-60	.NUT, adjusting	2	
11	5G2-84324-A0	.SPRING, reflector	1	
12	10V-84196-00	.COVER, socket	1	
13	10V-84198-00	.CLIP, cover fitting	4	
14	*	BULB, headlight (12V 60/55W)	1	LM
15	*	BULB (12V 4W)	1	LM
16	90159-06033	SCREW, with washer	3	

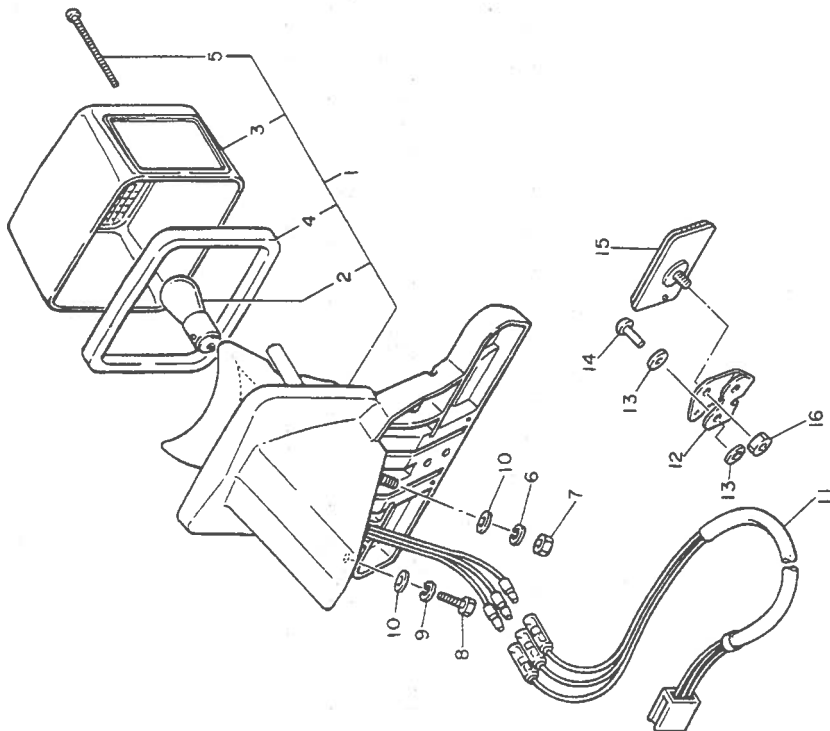


34L332-3340

**E12**

FIG. 35 TAILLIGHT

REF. NO.	PART NO.	DESCRIPTION	Q'TY	REMARKS
1	5Y3-84700-E0	TAILLIGHT ASSY	1	
2	31L-84714-00	BULB, taillight (12V-21/5W)	1	
3	1M8-84521-40	LENS, taillight	1	
4	15A-84545-00	GASKET, lens	1	
5	3Y1-84524-00	SCREW, lens fitting	2	
6	92902-06100	WASHER, spring	2	
7	95302-06600	NUT	2	
8	97302-06025	BOLT	1	
9	92902-06100	WASHER, spring	1	
10	90201-062G3	WASHER, Plate	3	
11	5Y1-84717-00	CORD, taillight	1	
12	33G-85132-00	BRACKET, reflector 1	1	
13	90201-044A2	WASHER, Plate	4	
14	90267-40076	RIVET, blind	2	
15	3G1-85130-01	REAR REFLECTOR ASSY	1	
16	95302-05600	NUT	1	

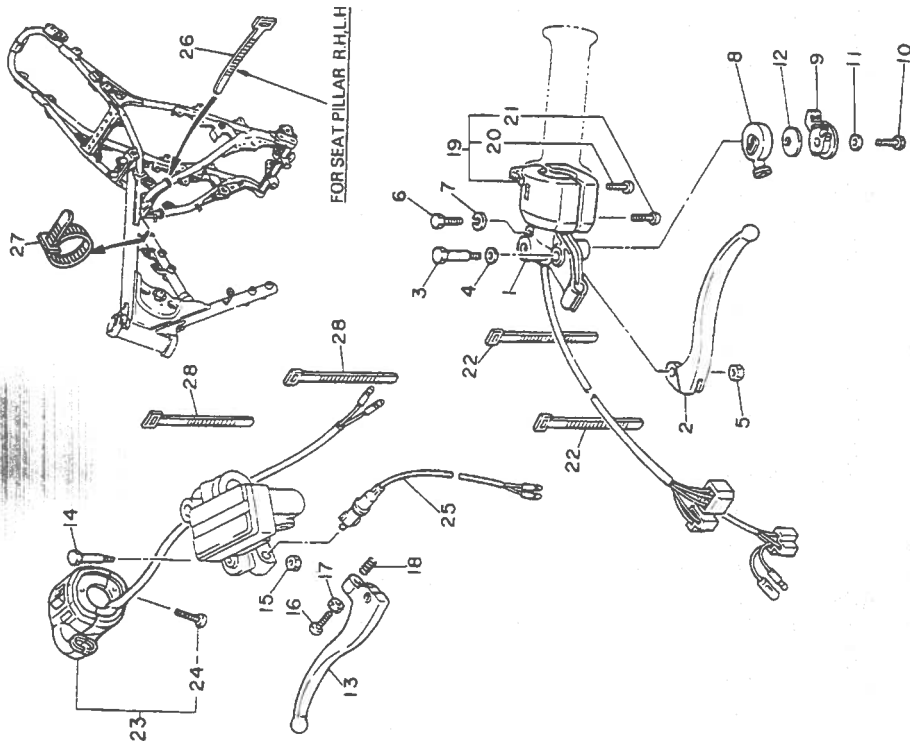


43F300-4350

**E13**

HANDLE SWITCH, LEVER

REF. NO.	PART NO.	DESCRIPTION	QUANTITY	REMARKS
1	5Y1-82911-01	HOLDER, lever 1	1	
2	5Y1-83912-00	LEVER 1	1	
3	90109-06410	BOLT	1	
4	90201-08083	WASHER, Plate	1	
5	95601-06100	NUT, u	1	
6	97306-06022	BOLT	1	
7	92906-06100	WASHER, spring	1	
8	5Y1-83942-00	COVER, starter	1	
9	5Y1-83941-00	LEVER, starter	1	
10	90153-06042	SCREW, hexagon	1	
11	92906-06200	WASHER, Plain	1	
12	90209-10131	WASHER	1	
13	43F-83922-00	LEVER 2	1	
14	90109-06774	BOLT	1	
15	95606-06100	NUT, u	1	
16	90149-06153	SCREW	1	
17	90170-06010	NUT	1	
18	90501-10312	SPRING, compression	1	
19	30X-83972-00	SWITCH, handle 4	1	
20	98506-05030	•SCREW, Pan head	1	
21	98506-05035	•SCREW, Pan head	1	
22	437-83936-00	BAND, switch cord	2	
23	43F-83976-00	SWITCH, handle 1	1	
24	98506-05020	•SCREW, Pan head	2	
25	1A0-83980-30	FRONT STOP SWITCH ASSY	1	
26	7F6-82591-00	BAND	2	
27	437-83936-10	BAND, switch cord	1	
28	437-83936-00	BAND, switch cord	2	

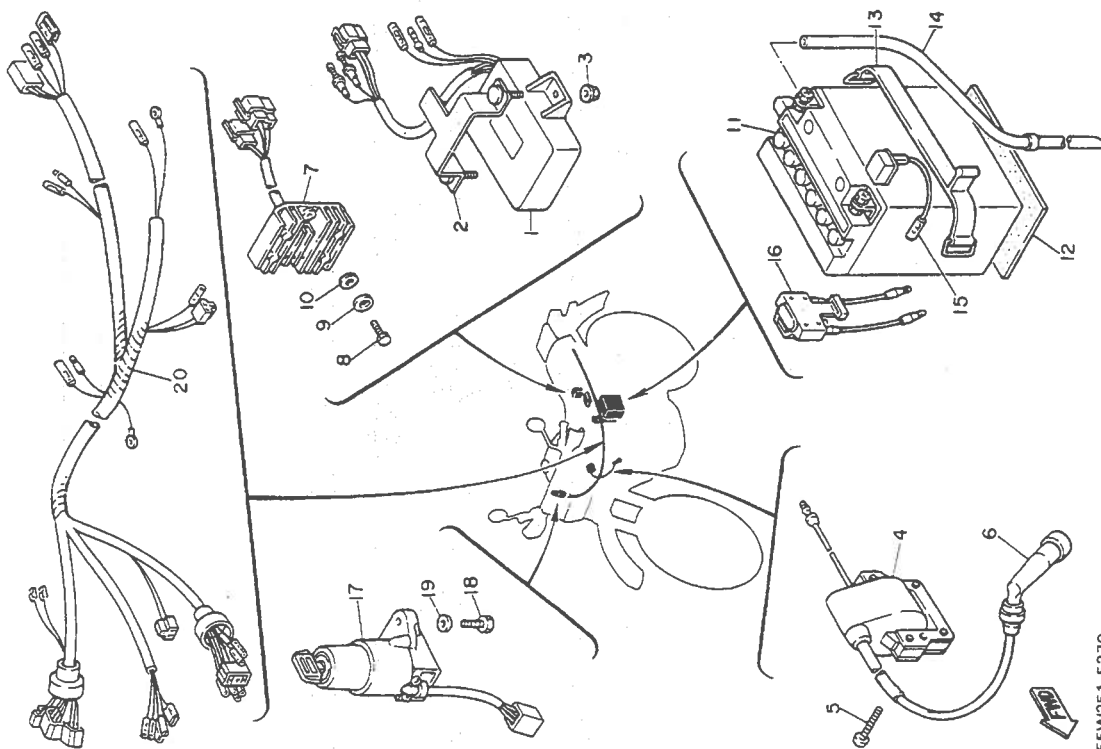


55W351-5360

**E14**

FIG. 37 ELECTRICAL 1

REF. NO.	PART NO.	DESCRIPTION	Q'TY	REMARKS
1	34L-85540-50	C.D.I. UNIT ASSY	1	
2	34L-8553A-00	STAY UNIT	1	
3	95701-06500	NUT, flange	2	
4	34K-82310-51	IGNITION COIL ASSY	1	
5	92501-06025	SCREW, Pan head	2	
6	371-82370-00	PLUG CAP ASSY	1	
7	34L-81960-A0	RECTIFIER & REGULATOR ASSY	1	
8	97301-06016	BLT	2	
9	92990-06600	WASHER, Plate	2	
10	90201-06674	WASHER, Plate	2	
11	43F-82110-60	BATTERY ASSY (GM4A-3B)	1	
12	5Y1-82122-00	SEAT, battery	1	
13	4J2-82131-01	BAND, battery	1	
14	90445-08782	HOSE	1	
15	2J2-82115-01	WIRE, Plus lead	1	
16	5Y1-82180-00	CIRCUIT BREAKER ASSY	1	
17	5Y3-82501-80	MAIN SWITCH STEERING LOCK	1	
18	97301-06016	BLT	2	
19	92990-06600	WASHER, Plate	2	
20	50T-82590-20	WIRE HARNESS ASSY	1	



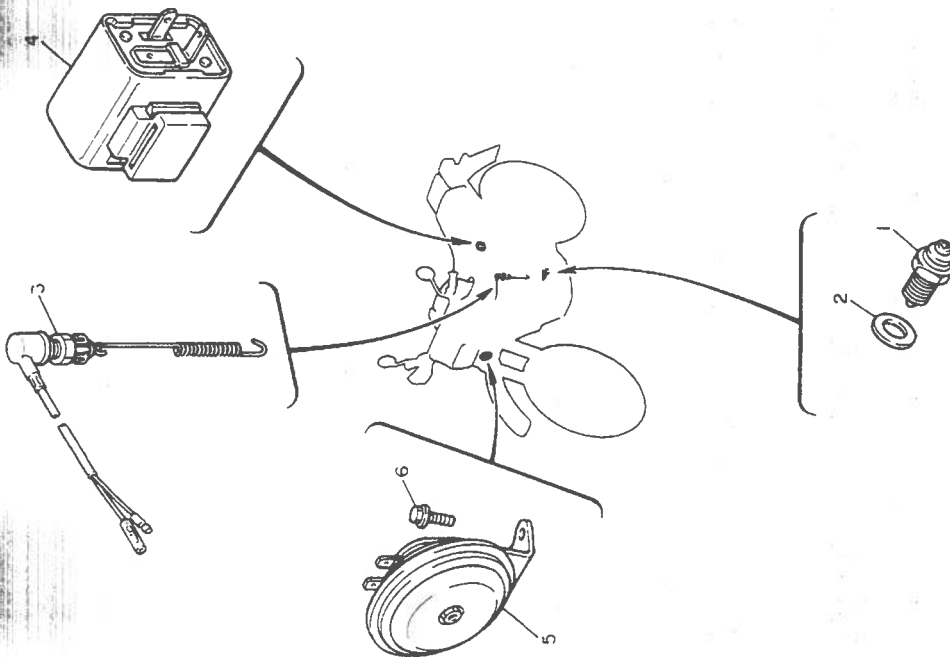
55W351-5370

E15



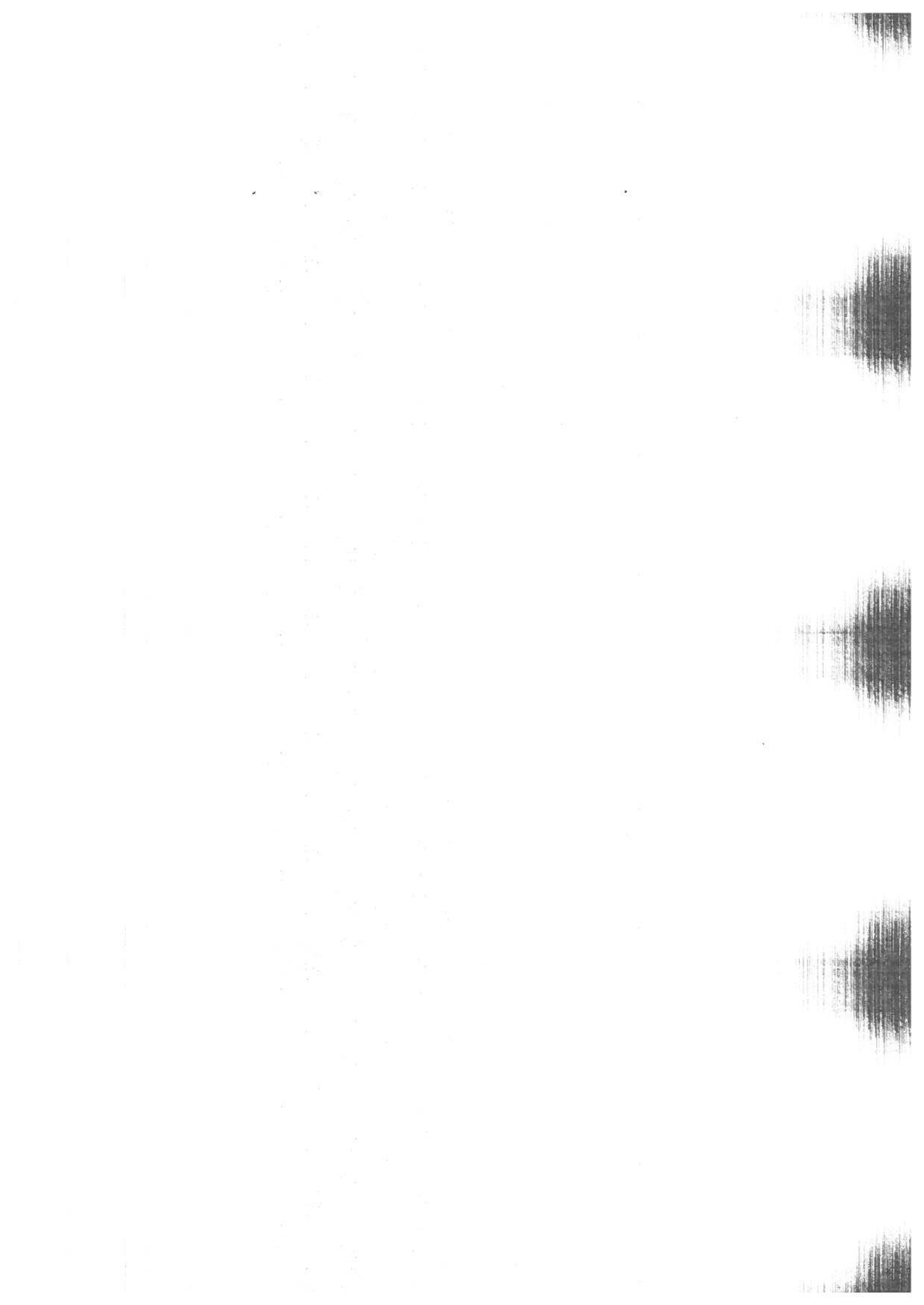
FIG. 38 ELECTRICAL 2

REF. NO.	PART NO.	DESCRIPTION	Q'TY	REMARKS
1	2H7-82540-00	NEUTRAL SWITCH ASSY	1	
2	90430-10148	GASKET	1	
3	34L-82530-00	STOP SWITCH ASSY	1	
4	34L-83350-20	FLASHER RELAY ASSY	1	
5	34L-83371-20	HORN	1	
6	95801-06010	BOLT, flange	2	



34L332 3380

F2



# **INDIVIDUAL SPEC.**

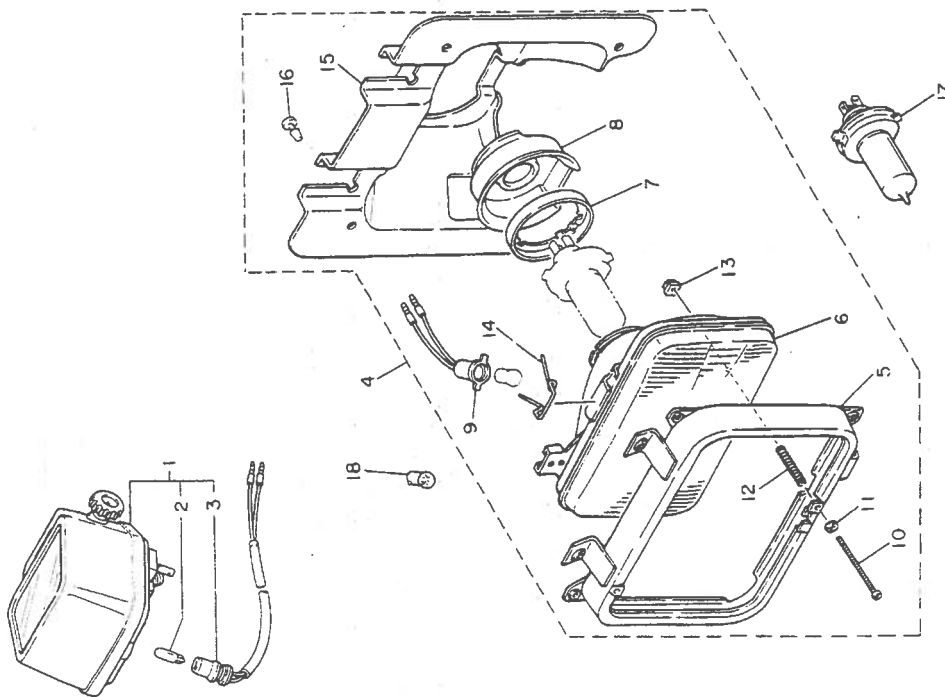


# FOR ENGLAND

The following pages provides a listing of only the parts that meet the specifications peculiar to your market. For those parts not appearing in these pages, refer to the "GENERAL SPEC" section.

FIG. 39 ELECTRICAL

REF. NO.	PART NO.	DESCRIPTION	Q'TY	REMARKS
1	43F-83570-00	SPEEDOMETER ASSY	1	MPH
2	4G1-84744-00	BULB (12V 3.4W)	1	
3	5Y1-83536-00	SOCKET, meter	1	
4	39E-84303-H0	HEADLIGHT UNIT ASSY	1	
5	10V-84115-00	RIM, headlight	1	
6	5G8-84321-H0	LENS, headlight	1	
7	2F9-84375-00	FITTING PLATE, bulb	1	
8	2F9-84397-01	COVER, socket	1	
9	457-84146-85	SOCKET, Pilot light	1	
10	98506-05012	SCREW, Pan head	2	
11	233-84127-60	WASHER, special	2	
12	5G2-84332-60	SPRING, screw	2	
13	198-84334-60	NUT, adjusting	2	
14	5G2-84324-A0	SPRING, reflector	1	
15	10V-84196-00	COVER, socket	1	
16	10V-84198-00	CLIP, cover fitting	4	
17	*	BULB (12V-60/55W)	1	LM
18	*	BULB (12V 3.4W)	1	LM



50T300-4470

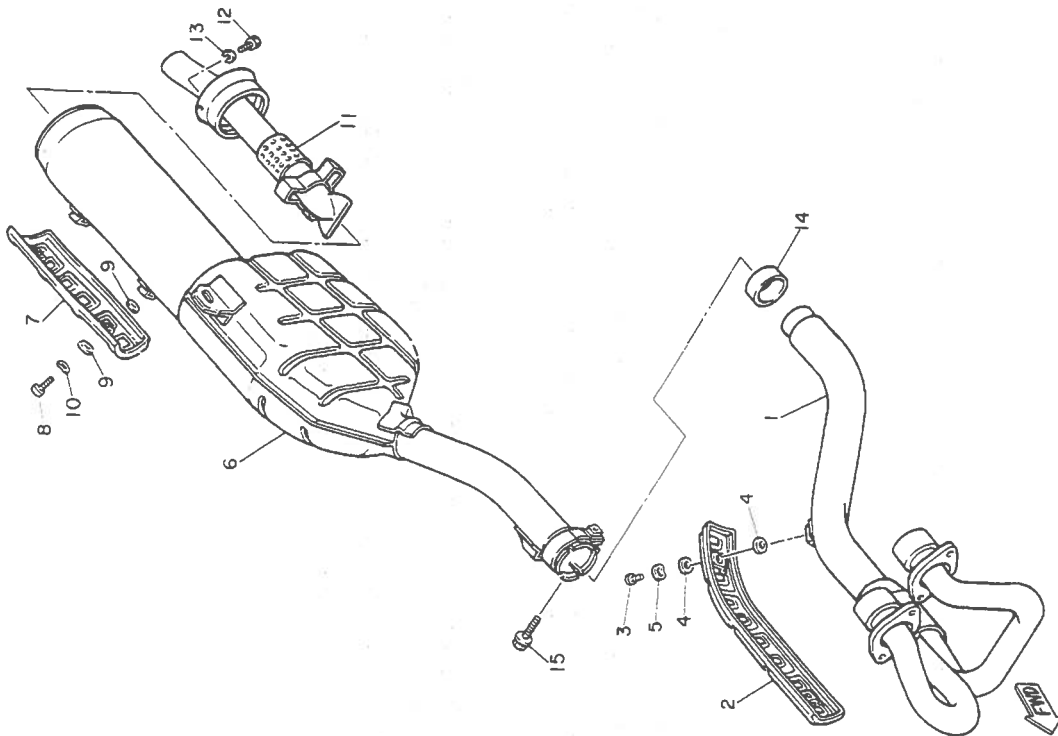
**F4**

# **FOR SWEDEN DENMARK NORWAY**

The following pages provides a listing of only the parts that meet the specifications peculiar to your market. For those parts not appearing in these pages, refer to the "GENERAL SPEC" section.

FIG. 40 ENGINE

REF. NO.	PART NO.	DESCRIPTION	Q'TY	REMARKS
1	34K-14611-00	PIPE, exhaust 1	1	
2	34K-14628-00	PROTECTOR, exhaust pipe	1	
3	90164-06017	SCREW, tapping	2	
4	30X-14766-00	WASHER, Protector	4	
5	90206-06060	WASHER, wave	2	
6	34L-14711-00	MUFFLER 1	1	
7	34L-14728-00	PROTECTOR, muffler 2	1	
8	98906-06010	SCREW, bind	2	For only SWEDEN and NORWAY
9	583-14766-00	WASHER, Protector	4	
10	90206-06060	WASHER, wave	2	
11	43F-14752-61	PIPE, outlet	1	
12	97301-06008	BOLT	1	
13	92990-06100	WASHER, spring	1	
14	34K-14714-00	GASKET, muffler	1	
15	95816-08045	BOLT, flange	1	



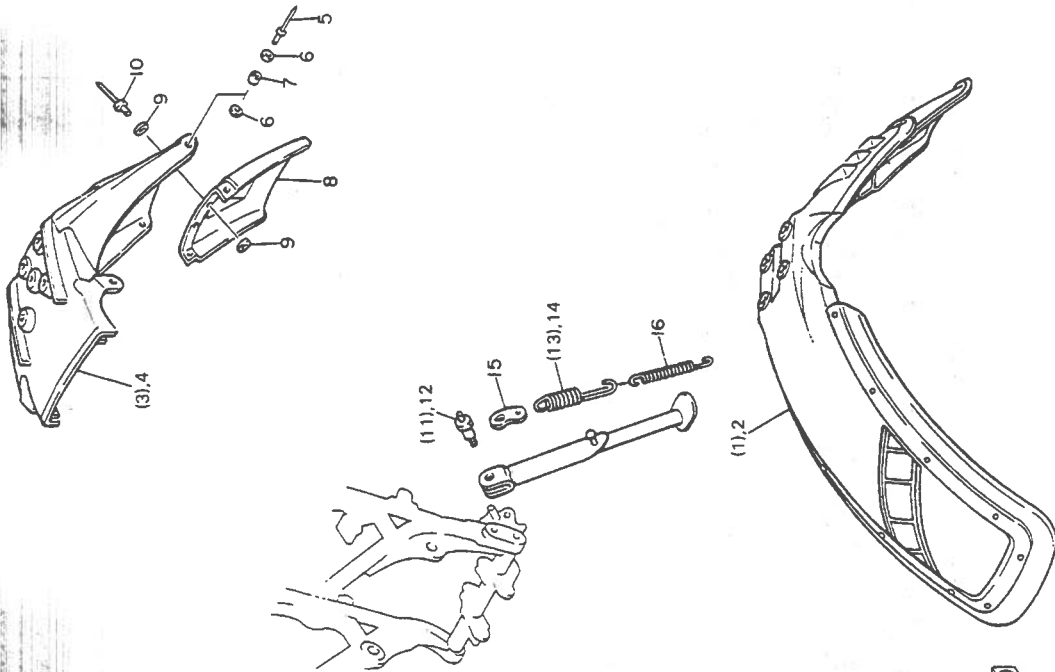
55W300-5400

F6



FIG. 41 CHASSIS

REF. NO.	PART NO.	DESCRIPTION	Q'TY	REMARKS
1	34L-21510-20	FRONT FENDER COMP.	*	sky blue
2	34L-21510-10	FRONT FENDER COMP.	1	UR sky blue
	34L-21510-00	FRONT FENDER COMP.	1	UR white
3	34L-21685-00	BRACKET, license	*	
4	34L-21685-10	BRACKET, license	1	
5	90267-48113	RIVET, blind	2	
6	90201-043H7	WASHER, Plate	4	
7	90387-05715	COLLAR	2	
8	34L-21691-00	FLAP	1	
9	90201-044A2	WASHER, Plate	4	
10	90267-40029	RIVET, blind	2	
11	90109-124A7	BOLT	*	
12	90109-125A2	BOLT	1	
13	90507-29009	SPRING, tension	*	
14	90506-18224	SPRING, tension	1	
15	3Y3-27315-00	LINK, side stand	1	
16	90506-26225	SPRING, tension	1	

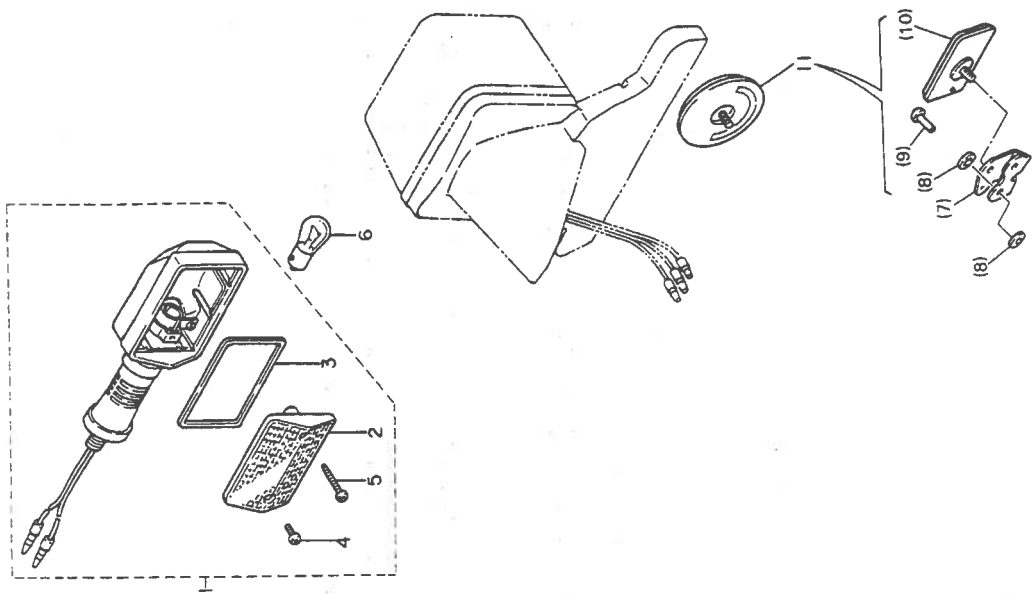


\* For Convenience of reference:  
 Disregard the items asterisked (\*) in the "QTY" column. These are intended for  
 GENERAL SPEC. and NOT for INDIVIDUAL SPEC.

**F7**

FIG. 42 ELECTRICAL

REF. NO.	PART NO.	DESCRIPTION	Q'TY	REMARKS
1	5Y3-83310-20	FRONT FLASHER LIGHT ASSY 1	2	
2	5Y1-83312-00	.LENS, flasher	1	
3	5Y1-83313-00	.GASKET, flasher lens	1	
4	98511-04012	.SCREW, Pan head	1	
5	97701-40530	.SCREW, tapping	1	
6	*	BULB, flasher (12V-21W)	2 LM	
7	33G-85132-00	BRACKET, reflector 1	*	
8	90201-044A2	WASHER, Plate	*	
9	90267-40076	RIVET, blind	*	
10	3G1-85130-01	REAR REFLECTOR ASSY	*	
11	449-85131-02	REFLECTOR, rear 1	1	



\* For Convenience of reference:  
 Disregard the items asterisked (\*) in the "QTY" column. These are intended for  
 GENERAL SPEC. and NOT for INDIVIDUAL SPEC.



55W300-5420

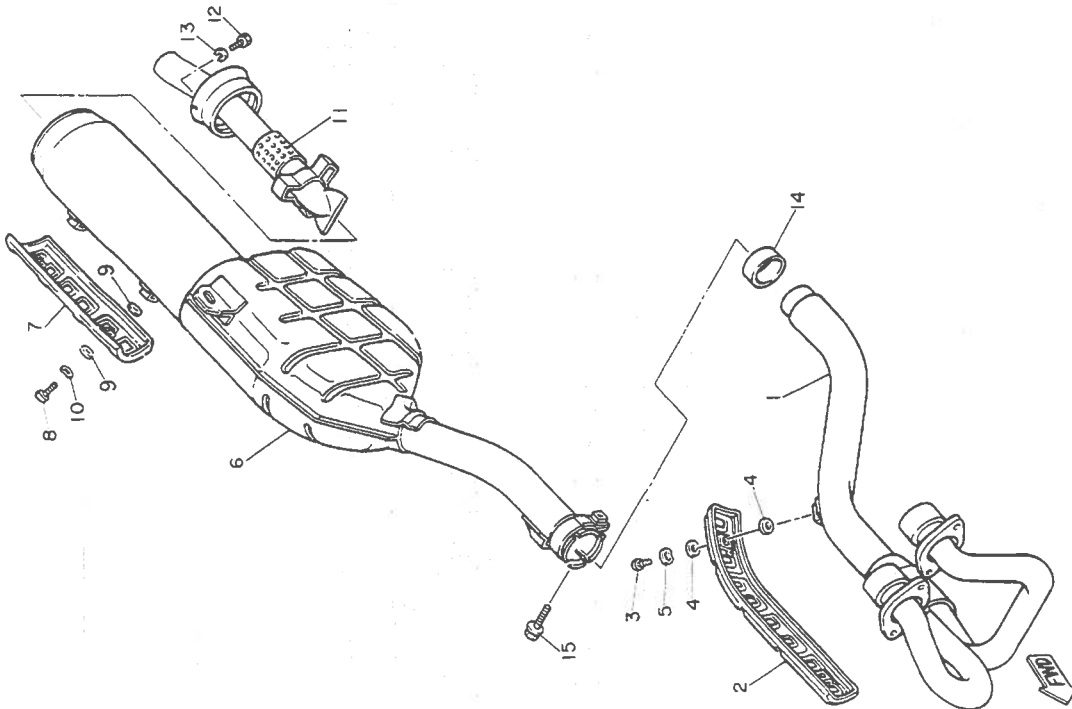
**F8**

# **FOR AUSTRIA**

The following pages provides a listing of only the parts that meet the specifications peculiar to your market. For those parts not appearing in these pages, refer to the "GENERAL SPEC" section.

FIG. 43 ENGINE

REF. NO.	PART NO.	DESCRIPTION	Q'TY	REMARKS
1	34K-14611-00	PIPE, exhaust 1	1	
2	34K-14628-00	PROTECTOR, exhaust pipe	1	
3	90164-06017	SCREW, tapping	2	
4	30X-14766-00	WASHER, Protector	4	
5	90206-06060	WASHER, wave	2	
6	34L-14711-00	MUFFLER 1	1	
7	34L-14728-00	PROTECTOR, muffler 2	1	
8	98906-06010	SCREW, bind	2	
9	583-14766-00	WASHER, Protector	4	
10	90206-06060	WASHER, wave	2	
11	43F-14752-61	PIPE, outlet	1	
12	97301-06008	BOLT	1	
13	92990-06100	WASHER, spring	1	
14	34K-14714-00	GASKET, muffler	1	
15	95816-08045	BOLT, flange	1	

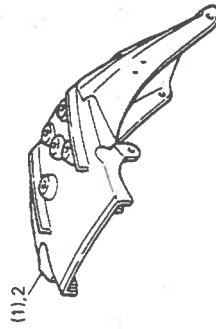
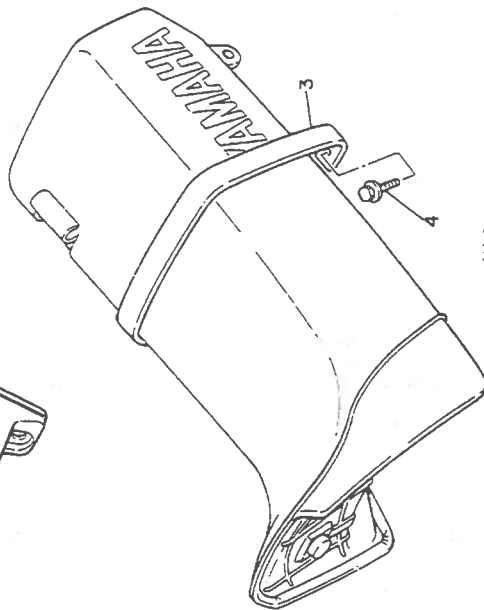
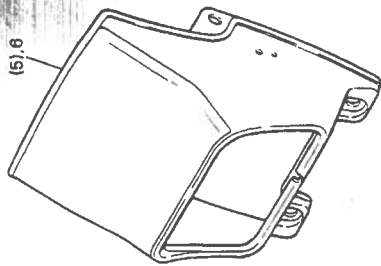


55W300-5400

**F10**

CHASSIS

REF. NO.	PART NO.	DESCRIPTION	QTY	REMARKS
1	34L-21685-00	BRACKET, license	1	
2	43F-21685-00	BRACKET, license	1	UR blue
3	55M-24734-00	BAND, seat	1	UR chappy red
	55W-24734-10	BAND, seat	2	
4	90119-06056	BOLT, with washer	*	
5	17F-28351-00	BODY, cowling	1	UR sky blue
6	50T-28351-00-G8	BODY, cowling	1	UR clean white
	50T-28351-00-36	BODY, cowling		



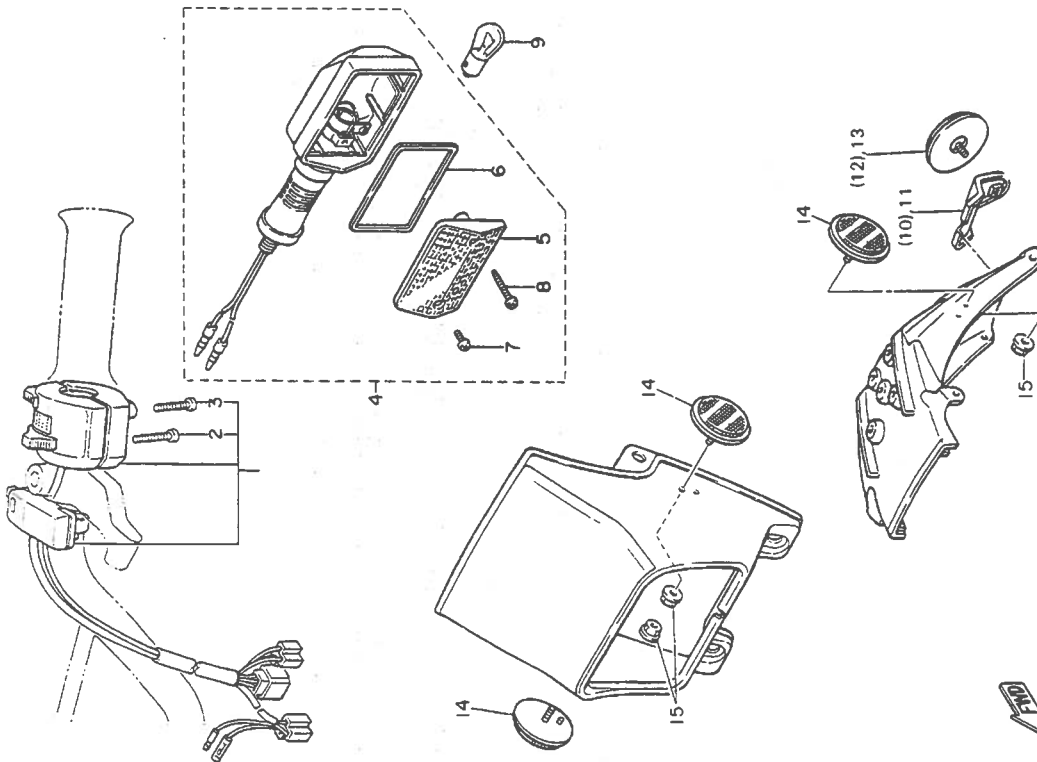
55W300-5440

\* For Convenience of reference:  
 Disregard the items asterisked (\*) in the "QTY" column. These are intended for  
 GENERAL SPEC, and NOT for INDIVIDUAL SPEC.

F11

FIG. 45 ELECTRICAL

REF. NO.	PART NO.	DESCRIPTION	Q'TY	REMARKS
1	34L-83969-00	SWITCH, handle 5	1	
2	98506-05030	•SCREW, Pan head	1	
3	98506-05035	•SCREW, Pan head	1	
4	5Y3-83310-20	FRONT FLASHER LIGHT ASSY 1	2	
5	5Y1-83312-00	•LENS, flasher	1	
6	5Y1-83313-00	•GASKET, flasher lens	1	
7	98511-04012	•SCREW, Pan head	1	
8	97701-40530	•SCREW, tapping	1	
9	*	BULB, flasher (12V-21W)	2	LM
10	33G-85132-00	BRACKET, reflector 1	*	
11	10V-85132-01	BRACKET, reflector 1	1	
12	3G1-85130-01	REAR REFLECTOR ASSY	*	
13	449-85131-02	REFLECTOR, rear 1	1	
14	20G-85110-00	FRONT REFLECTOR ASSY	4	
15	95702-05100	NUT, flange	4	



\* For Convenience of reference

Disregard the items asterisked (\*) in the "QTY" column. These are intended for GENERAL SPEC, and NOT for INDIVIDUAL SPEC.

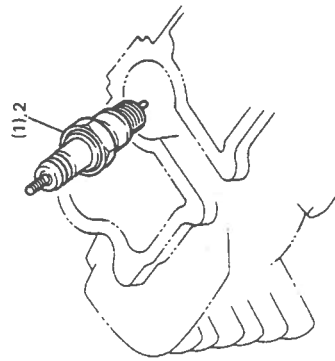
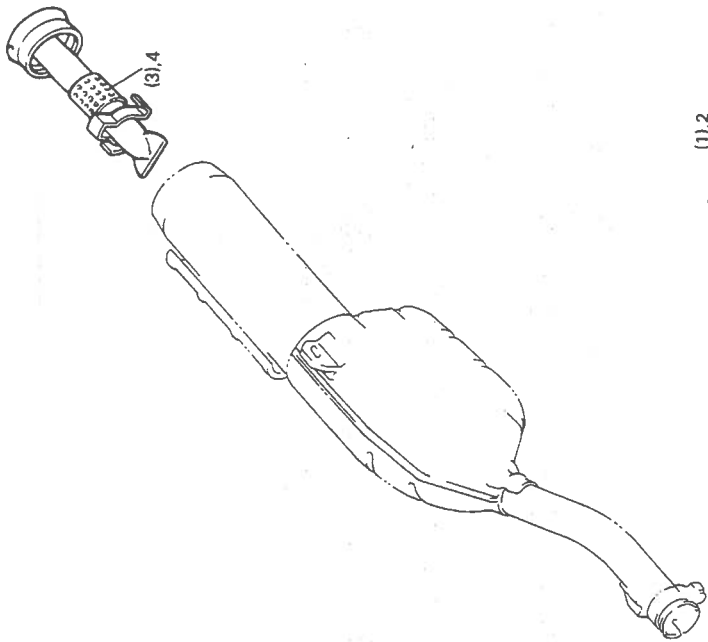
**F12**

# FOR SWITZERLAND

The following pages provides a listing of only the parts that meet the specifications peculiar to your market. For those parts not appearing in these pages, refer to the "GENERAL SPEC" section.

FIG. 46 ENGINE 1

REF. NO.	PART NO.	DESCRIPTION	Q'TY	REMARKS
1	94701-00262	PLUG, spark (NGK DPR7EA 9)	•	
2	94701-00241	PLUG, spark (NGK DPR8EA-9)	1	
3	34L-14752-01	PIPE, outlet	•	
4	47N-14752-00	PIPE, outlet	1	



55W300-5460

\* For Convenience of reference  
 Disregard the items asterisked (\*) in the "QTY" column. These are intended for  
 GENERAL SPEC, and NOT for INDIVIDUAL SPEC.

**F14**



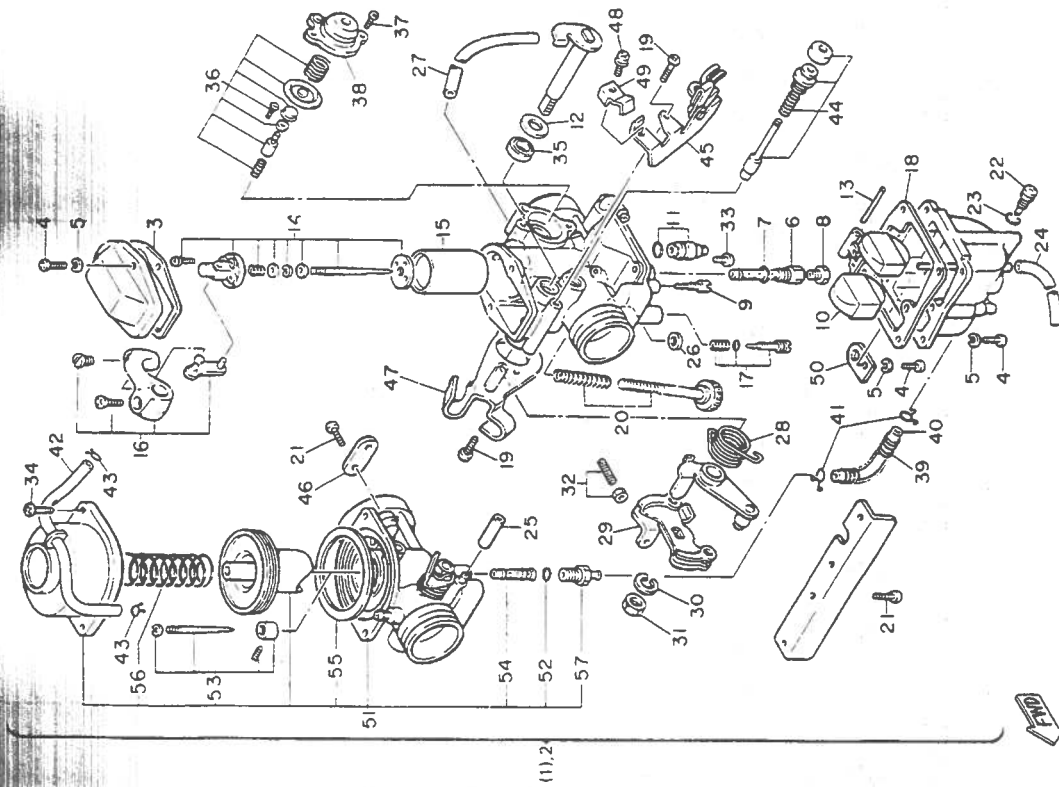
FIG. 47 ENGINE 2 (CARBURETOR)

REF. NO.	PART NO.	DESCRIPTION	Q'TY	REMARKS
1	43F-14301-00	CARBURETOR ASSY 1	1	
2	47N-14301-00	CARBURETOR ASSY 1	1	
3	5Y1-14198-00	GASKET	1	
4	98501-04014	SCREW, Pan head	6	
5	92901-04100	WASHER, sPring	6	
6	43F-14341-00	NOZZLE, main	1	
7	360-24512-00	GASKET	1	
8	288-14343-65	JET, main (#130)	1	
9	43F-14342-23	JET, Pilot (# 46)	1	
10	5Y1-14385-00	FLOAT	1	
11	5Y1-14107-00	NEEDLE VALVE SET	1	
12	5Y1-14357-00	WASHER, Plain	1	
13	6E5-14386-01	PIN, float	1	
14	34K-1490J-10	NEEDLE SET	1	
15	5Y1-14312-65	VALVE, throttle 1	1	
16	5Y1-14203-00	CABLE CONNECTOR SET	1	
17	43F-14105-00	PILOT SCREW SET	1	
18	5Y1-14384-00	GASKET, float chamber	1	
19	5Y1-14325-00	SCREW, Pan head	3	
20	34K-14103-00	THROTTLE SCREW SET	1	
21	98501-05010	SCREW, Pan head	6	
22	5Y1-14115-00	PLUG, screw	1	
23	5Y1-14397-00	O-RING	1	
24	5Y1-14396-00	PIPE	1	
25	5Y1-14349-00	PIPE	1	
26	5Y1-14536-00	GASKET	1	
27	34K-14197-00	PIPE	1	
28	5Y1-14131-00	SPRING, throttle valve	1	

\* For Convenience of reference:

Disregard the items asterisked (\*) in the "QTY" column. These are intended for GENERAL SPEC. and NOT for INDIVIDUAL SPEC.

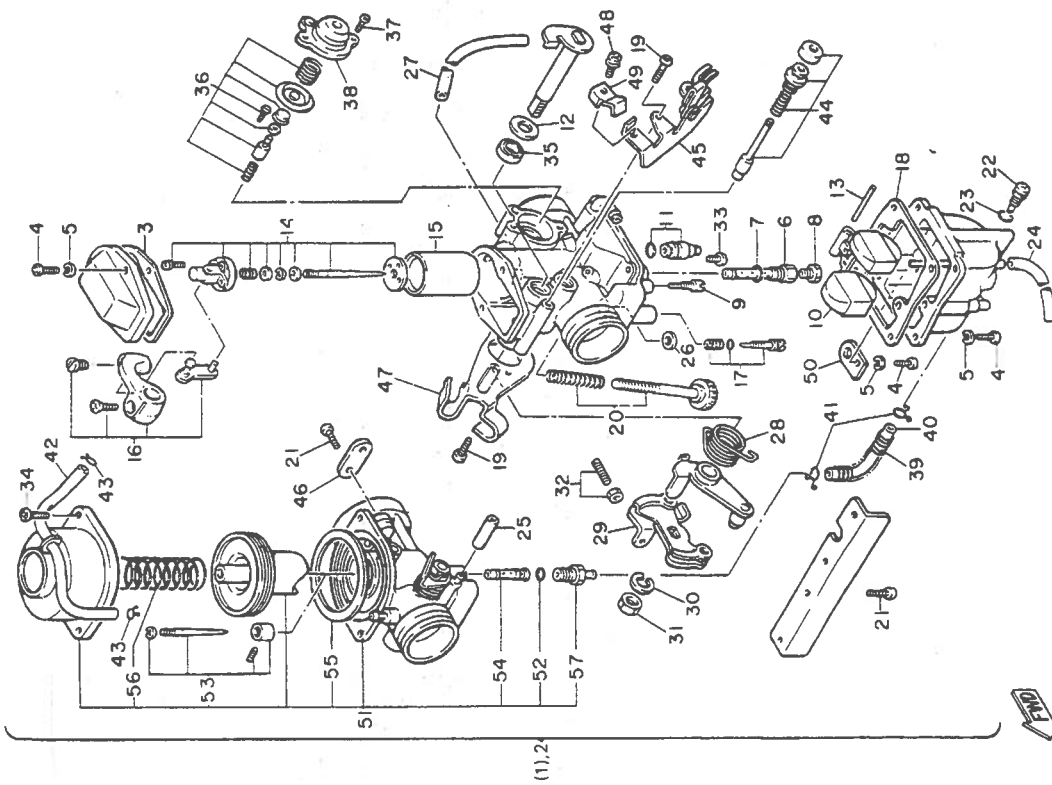
**F15**



55W300 5470

FIG. 47 ENGINE 2 (CARBURETOR)

REF. NO.	PART NO.	DESCRIPTION	Q'TY	REMARKS
29	34K-14305-00	•THROTTLE LEVER COMP	1	
30	5Y1-14356-00	•WASHER, sPring	1	
31	5Y1-14358-00	•NUT	1	
32	34K-1490K-00	•STOP SCREW SET	1	
33	98901-04006	•SCREW, bind	1	
34	5Y1-14216-00	•SCREW	2	
35	5Y1-14572-00	•SEAL	2	
36	5Y1-1490A-00	•DIAPHRAGM SET, 1	1	
37	98503-04010	•SCREW, Pan head	2	
38	5Y1-14293-01	•COVER 1	1	
39	5Y1-14556-00	•SPRING	1	
40	5Y1-14148-00	•PIPE	1	
41	5Y1-14137-00	•CLIP	2	
42	5Y1-14149-00	•PIPE	1	
43	5Y1-14159-00	•CLIP	2	
44	5Y1-1410A-00	•STARTER SET	1	
45	34L-14905-00	•LEVER, starter	1	
46	34K-14146-00	•PLATE	1	
47	34K-14571-00	•BRACKET, throttle	1	
48	677-24444-00	•SCREW	1	
49	5Y1-14377-00	•STOPPER	1	
50	42U-14146-00	•PLATE	1	
51	47N-14320-00	•CARBURETOR ASSY 2	1	
52	360-24512-00	•GASKET	1	
53	43F-1490J-01	•NEEDLE SET	1	
54	5Y1-14355-00	•NOZZLE, main 2	1	
55	5Y1-14398-00	•GASKET	1	
56	5Y1-14286-00	•SPRING	1	

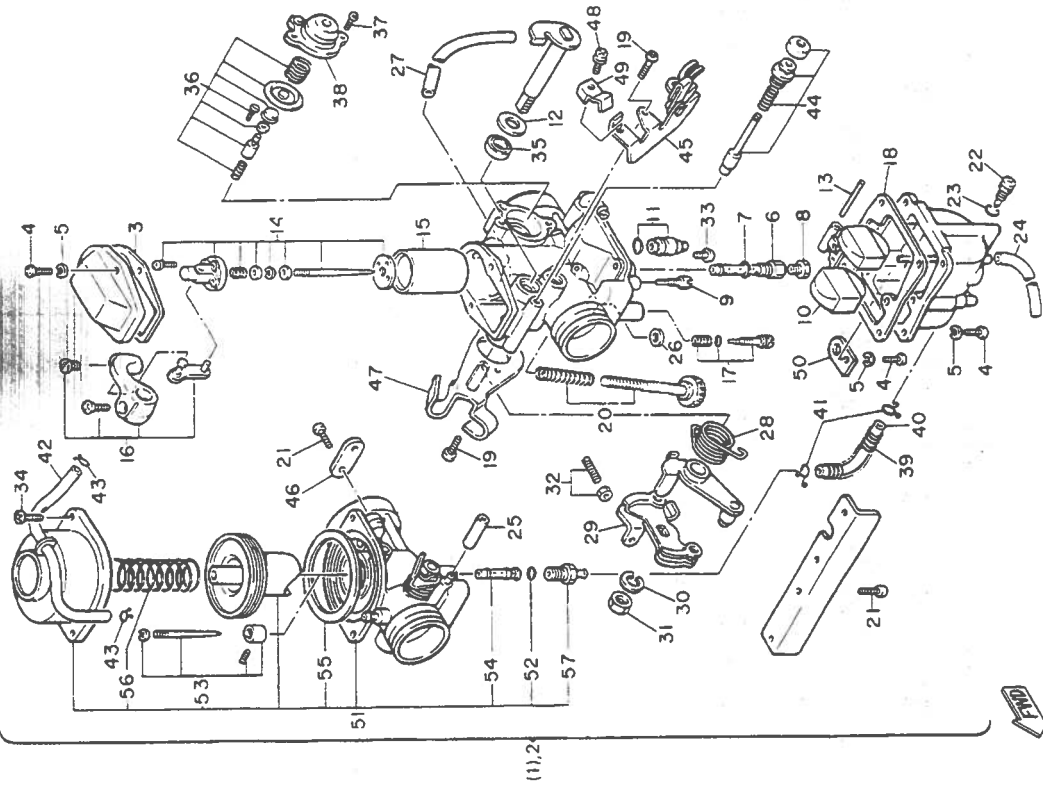


55W300-5470

G2

FIG. 4 (CONTINUED)

REF. NO.	PART NO.	DESCRIPTION	Q'TY	REMARKS
57	5Y1-14343-65	..JET, main (#130)	1	UR STD
	5Y1-14343-63	..JET, main (#126)	1	UR



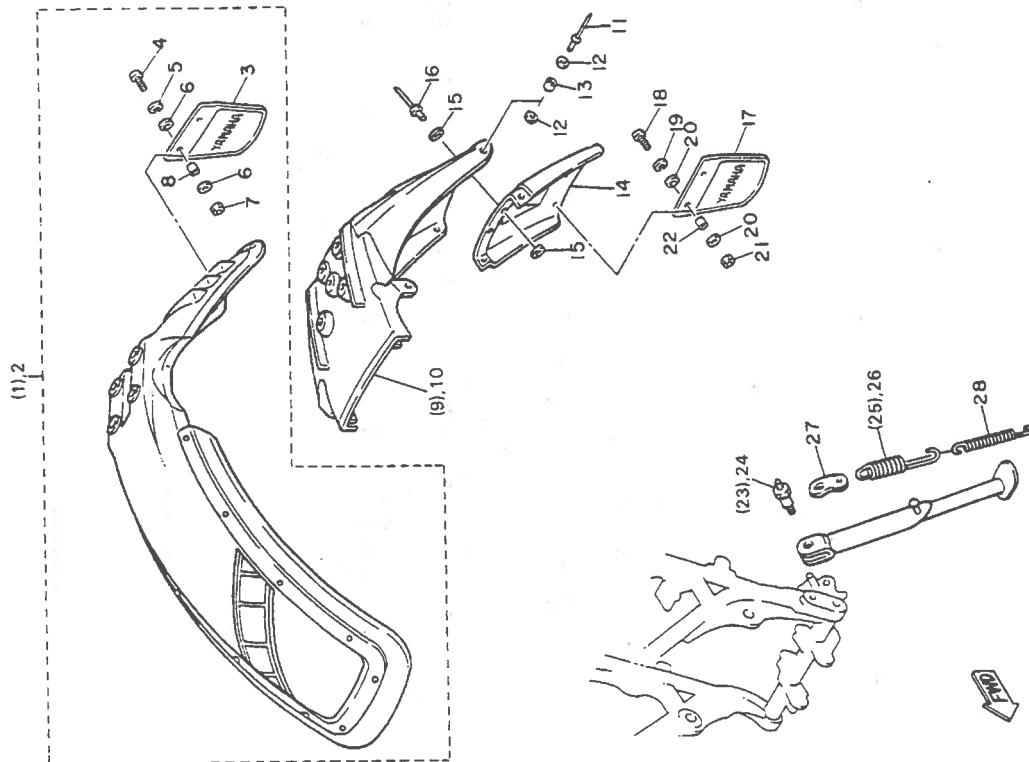
55W300-5470

G3

FIG. 48 CHASSIS

REF. NO.	PART NO.	DESCRIPTION	Q'TY	REMARKS
1	34L-21510-30	FRONT FENDER COMP.	1	clean white
2	50U-21510-00	FRONT FENDER COMP.	1	clean white
3	395-21521-00	•FLAP, front fender	1	
4	98506-05016	•SCREW, Pan head	2	
5	92906-05100	•WASHER, spring	2	
6	90201-05651	•WASHER, Plate	4	
7	95302-05700	•NUT	2	
8	90387-05679	•COLLAR	2	
9	34L-21685-00	BRACKET, license	1	
10	34L-21685-10	BRACKET, license	1	
11	90267-48113	RIVET, blind	2	
12	90201-043H7	WASHER, Plate	4	
13	90387-05715	COLLAR	2	
14	43F-21621-00	FLAP	1	
15	90201-044A2	WASHER, Plate	4	
16	90267-40029	RIVET, blind	2	
17	395-21521-00	FLAP, front fender	1	
18	98506-05016	SCREW, Pan head	2	
19	92906-05100	WASHER, spring	2	
20	90201-05651	WASHER, Plate	4	
21	95302-05700	NUT	2	
22	90387-05679	COLLAR	2	
23	90109-124A7	BOLT	1	
24	90109-125A2	BOLT	1	
25	90507-29009	SPRING, tension	1	
26	90506-18224	SPRING, tension	1	
27	3Y3-27315-00	LINK, side stand	1	
28	90506-26225	SPRING, tension	1	

\* For Convenience of reference.  
 Disregard the items asterisked (\*) in the "QTY" column. These are intended for GENERAL SPEC. and NOT for INDIVIDUAL SPEC.

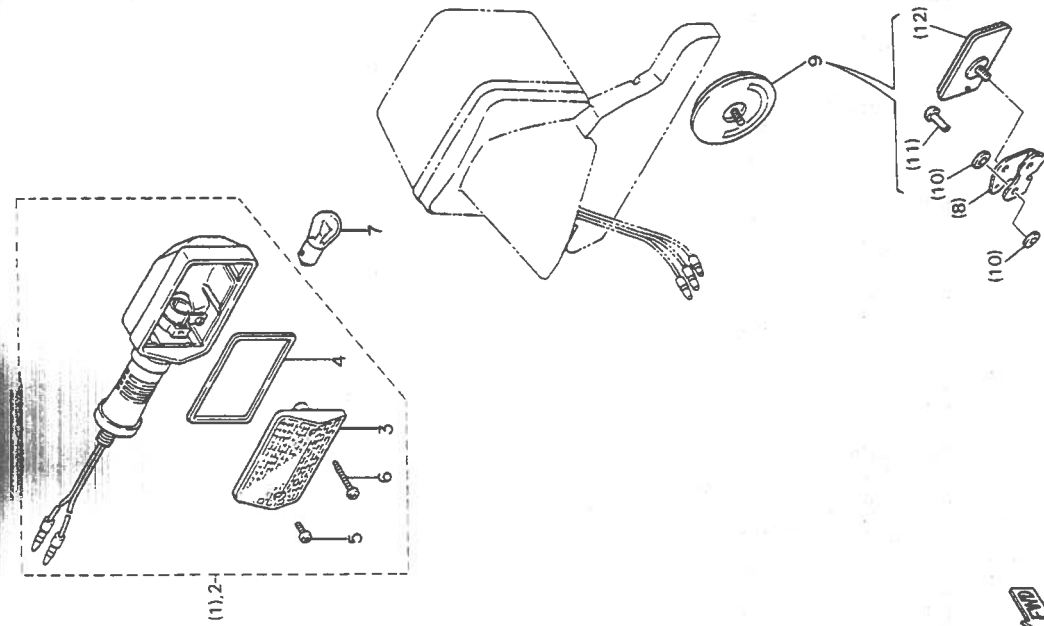


55W300.5480



49 ELECTRICAL

NO.	PART NO.	DESCRIPTION	QTY	REMARKS
1	34L-83310-20	FRONT FLASHER LIGHT ASSY *	•	
2	5Y3-83310-20	FRONT FLASHER LIGHT ASSY †	2	
3	5Y1-83312-00	•LENS, flasher	1	
4	5Y1-83313-00	•GASKET, flasher lens	1	
5	98511-04012	•SCREW, Pan head	1	
6	97701-40530	•SCREW, tapping	1	
7	•	BULB, flasher (12V-21W)	2	LM
8	33G-85132-00	BRACKET, reflector †	•	
9	449-85131-01	REFLECTOR, rear †	1	
10	90201-044A2	WASHER, Plate	•	
11	90267-40076	RIVET, blind	•	
12	3G1-85130-00	REAR REFLECTOR ASSY	•	

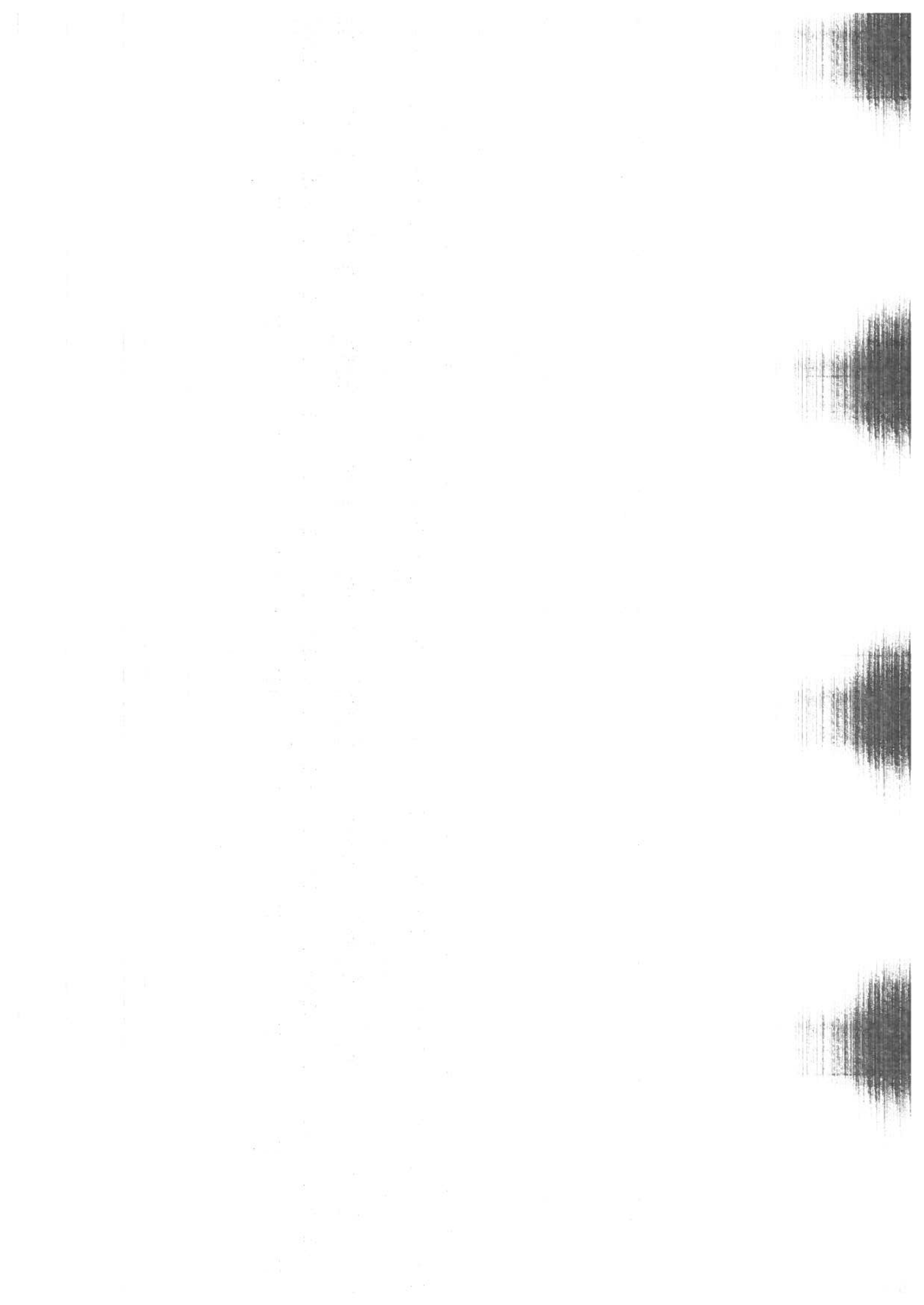


\* For Convenience of reference:  
 Disregard the items asterisked (\*) in the "QTY" column. These are intended for  
 GENERAL SPEC, and NOT for INDIVIDUAL SPEC.

55W300-5490



G5



# **INDEX**

**(GENERAL SPEC.)**

NUMERICAL INDEX

PART NO.	GRID NO.	PART NO.	GRID NO.	PART NO.	GRID NO.	PART NO.	GRID NO.	PART NO.	GRID NO.	PART NO.	GRID NO.
34L-W0041-00	E-4	34K-12162-00	B-7	34K-14305-00	B-12	5YI-1490A-00	B-13	5YI-17151-01	C-9	34L-21721-00-2X	D-2
55M-W0045-00	D-14	34K-12163-00	B-7	34K-1490A-10	B-12	34K-1490-01	B-12	34L-17211-00	C-9	2J5-21732-00	C-13
55M-W0047-00	D-14	5YI-12166-00	B-7	43F-14320-55	B-13	43F-1490-01	B-13	5YI-17221-01	C-9	34L-2174A-00	D-2
51L-W0048-00	D-14	43F-12170-00	B-8	5YI-14325-00	B-12	34K-14905-00	B-13	55U-17231-00	C-9	34L-21750-02	D-2
55M-W0057-00	D-14	34K-12176-00	B-8	43F-14341-00	B-12	34L-14905-00	B-13	55U-17241-00	C-9	34L-21756-01	D-2
34K-W1141-00	B-9	34K-12210-00	B-8	43F-14342-23	B-12	34L-15100-00	C-2	5YI-17251-00	C-9	34L-2176E-01	C-13
5YI-W1343-00	B-9	34K-12213-00	B-8	288-14343-65	B-12	5YI-15383-00	C-2	34K-17402-00	C-9	34L-21761-01	D-2
34L-11101-00	B-2	4X7-12213-00	B-8	5YI-14343-65	B-14	34K-15411-00	C-3	43F-17410-00	C-9	34L-2177G-00	D-2
583-11127-00	B-2	34K-12231-00	B-8	5YI-14343-65	B-13	5YI-15417-00	C-3	34L-17411-00	C-9	34L-21781-00	D-2
4H7-11133-10	B-4	5YI-12283-00	B-8	5YI-14349-00	B-12	5YI-15421-01	C-3	3YI-17456-00	C-9	34L-21781-10	D-2
34K-11145-00	B-6	34K-12288-00	B-2	5YI-14355-00	B-13	5YI-15427-00	B-9	5YI-17461-50	C-9	43F-22110-01	D-4
34L-11166-00	C-2	34L-12292-00	B-3	5YI-14356-00	B-13	5YI-15431-00	C-3	34K-17471-00	C-9	34L-22117-00	D-5
34K-11181-00	B-4	583-13113-00	B-9	5YI-14357-00	B-12	5YI-15441-00	C-3	5YI-17800-00	B-2	34L-22123-00	D-4
1H2-11186-00	B-2	5YI-13325-00	B-9	5YI-14358-00	B-13	5YI-15451-01	C-3	5YI-18101-01	C-12	34L-22124-00	D-4
5YI-11187-00	B-2	5YI-13371-00	B-10	5YI-14377-00	B-12	34K-15462-00	C-3	43F-18102-01	C-12	2K6-22128-01	D-4
214-11198-01	B-9	5YI-13415-01	B-9	5YI-14384-00	B-12	3YI-1561A-02	C-5	1M6-18113-00	C-12	34L-22128-00	D-4
34L-11310-00	B-4	4X7-13440-90	B-9	5YI-14385-00	B-12	5YI-15616-00	C-4	34K-18120-00	C-12	23X-22129-00	D-5
34K-11351-00	B-4	34L-13443-00	B-10	6E5-14386-01	B-12	5YI-1562F-01	C-4	34K-18140-00	C-11	34L-22129-00	D-6
34K-11400-00	B-5	583-13447-01	B-9	5YI-14396-00	B-12	5YI-15620-00	C-5	5YI-18185-00	C-11	34L-22141-01	D-5
34K-11422-00	B-5	11H-13455-00	B-9	5YI-14397-00	B-12	5YI-15621-00	C-5	5YI-18185-00	C-11	34L-22147-00	D-4
34K-11454-00	B-5	34L-13464-02	B-9	5YI-14398-00	B-13	34K-15641-00	C-9	5YI-18511-00	C-11	5X6-22151-10	D-4
5YI-11496-01	B-5	34L-13465-01	B-10	5M-14412-00	B-11	117-15644-00	C-9	5YI-18512-00	C-11	34L-22153-00	D-4
5YI-11531-00	B-5	34L-13466-01	B-10	34L-1442F-00	B-11	5YI-15645-00	C-3	5YI-18513-00	C-11	34L-2216G-00	D-5
34K-11536-01	B-5	34L-13470-00	B-10	34L-14425-00	B-11	5YI-15651-01	C-5	34K-18531-00	C-11	34L-2217A-00	D-4
34K-11565-01	B-5	34L-13472-01	B-11	34L-14426-00	B-11	2K7-15668-00	C-5	34K-18535-00	C-11	34L-2217F-00	D-4
34L-11610-20	B-5	16G-13569-00	B-10	34L-14437-00	B-11	5YI-15660-00	C-5	5YI-18540-00	C-11	22M-22178-01	C-14
34L-11610-40	B-5	43F-13596-00	B-11	34L-14451-00	B-11	248-15667-00	C-5	55W-21110-00-FH	C-13	34L-2218A-10	D-4
34L-11631-00-Y0	B-5	43F-13598-00	B-11	34K-14452-00	B-11	214-15674-00	C-5	34L-21170-00	C-15	4V4-22184-00	C-14
34K-11633-00	B-5	34K-14103-00	B-12	43F-14453-00	B-11	168-15676-00	C-5	1E6-21308-00	D-13	34L-22189-00	D-5
34L-11636-00	B-5	43F-14105-00	B-12	34L-14454-00	B-11	214-15686-00	C-5	34L-21315-00	C-13	55M-22210-00-26	D-6
34K-11681-00	B-5	43F-14105-00	B-12	34L-14458-00	B-11	34K-16111-00	C-7	34L-21316-00-FH	C-13	55M-22210-00-6W	D-6
5YI-12113-00	B-7	5YI-14107-00	B-12	34L-14461-00	B-11	34K-16150-00	C-7	34L-21316-00-68	C-13	50T-22211-00	D-6
5YI-12114-00	B-5	5YI-14115-00	B-12	2J2-14468-00	D-2	3YI-16154-00	C-7	5YI-21441-00	C-13	55M-22212-00-26	D-6
4H7-12116-00	B-7	5YI-14131-00	B-12	4H7-14484-00	B-12	5YI-16321-00	C-7	34L-21471-00	C-13	55M-22212-00-6W	D-6
2F3-12117-00	B-7	5YI-14137-00	B-13	5YI-14536-00	B-12	30X-16325-00	C-7	34L-21485-00	C-13	50T-22213-00	D-6
5YI-12118-00	B-7	34K-14146-00	B-13	5YI-14556-00	B-13	5YI-16331-01	C-7	34L-21486-00	C-13	50T-22215-00	D-6
1J7-12119-01	B-7	42U-14146-00	B-13	34K-14571-00	B-13	5YI-16351-00	C-7	34L-21510-20	C-15	3R4-22221-01	D-6
34K-12121-00	B-7	5YI-14148-00	B-13	5YI-14572-00	B-15	34K-16356-00	C-7	34L-21510-30	C-15	3YI-22223-00	D-6
5YI-12146-00	B-7	5YI-14198-00	B-12	34L-14711-00	B-15	34K-16357-00	C-8	34L-21575-10	C-15	50T-22224-00	D-6
34K-12151-00	B-7	5YI-14203-00	B-12	34K-14714-00	B-15	30X-16358-00	C-7	34L-21575-10	C-15	34L-22226-00	D-6
5YI-12156-00	B-7	5YI-14216-00	B-13	34L-14728-00	B-15	34K-16371-00	C-7	34L-21611-00	C-15	34L-22311-01	D-5
3YI-12159-00	B-7	5YI-14286-00	B-13	34L-14752-01	B-15	5YI-16383-00	C-7	34L-21621-20	C-15	55M-22401-00	D-6
34K-12161-00	B-7	5YI-14293-01	B-13	30X-14766-00	B-15	5YI-16389-00	C-7	34L-21621-00	B-11	50T-22409-00	D-6
		43F-14301-00	B-12	583-14766-00	B-15	34L-17121-01	C-9	34L-21685-00	C-15	50T-22493-00	D-6
						5YI-17131-00	C-9	34L-21711-00-1X	D-2	50T-22497-00	D-6
						34K-17141-00	C-9	34L-21711-00-2X	D-2	55M-23102-00	D-9
								34L-21721-00-1X	D-2	55M-23103-00	D-9
								34K-17141-00	D-2	55M-23106-00	D-9

L2



NUMERICAL INDEX

NUMERICAL INDEX

GRID NO.	PART NO.	GRID NO.	PART NO.	GRID NO.	PART NO.	GRID NO.	PART NO.	GRID NO.	PART NO.
D-9	55W-23107-00	D-7	460-2533A-00	E-2	55V-2742-00	E-6	1M1-83526-00	E-11	90109-06410
D-9	50T-23110-00	D-7	5Y1-25330-00	E-2	55W-27311-00-R4	E-7	5Y1-83536-00	E-11	90109-06418
D-9	34L-23111-00	D-7	34L-25355-00	E-2	22W-27411-00-90	E-6	34L-83540-00	E-11	90109-06419
D-9	34L-23340-20-39	D-11	5Y1-25364-00	E-2	34L-27412-00-R4	E-6	5Y1-83541-00	E-11	90109-06757
D-9	55W-23351-00	D-9	5Y1-25366-00-98	E-2	22W-27421-00-90	E-6	48Y-83550-00	E-11	90109-06774
D-10	34L-23389-00	D-8	5Y1-25377-00	E-2	120-27431-00	E-7	34L-83570-F0	E-11	90109-08705
D-9	50T-23118-00	D-7	43F-25381-00	E-3	26F-27432-00-FH	E-7	5Y1-83912-00	E-14	90109-08789
D-10	5A8-23434-00	D-7	43F-25383-00	E-3	26F-27432-00-FH	E-7	5Y1-83912-00	E-14	90109-10759
D-9	1E7-23119-00	D-7	3Y1-25388-01	E-3	120-27433-00	E-7	43F-83922-00	D-5	90109-10760
D-10	1E6-23441-00	D-7	3Y1-25389-00	E-3	120-27433-00	E-7	43F-83936-00	D-5	90109-120A3
D-9	3Y6-23442-00-98	D-7	2X5-25394-00	E-3	50T-27442-00-FH	E-7	437-83938-10	D-4	90109-124A7
D-10	134-23484-10	D-7	156-25398-00	D-14	50T-27442-00-FH	E-7	5Y1-83941-00	E-14	90116-10087
D-9	34L-23489-00	D-10	5Y1-25412-00	E-2	43F-28100-00	D-3	5Y1-83942-00	C-2	90116-10087
D-10	34L-24110-01-06	D-12	43F-25440-60-33	E-2	34L-28185-00	C-15	30X-83972-00	C-2	90116-10263
D-9	34L-24110-01-07	D-12	55W-25715-00	E-2	17F-28351-00-68	E-8	43F-83976-00	E-2	90116-10348
D-10	34L-24161-00	D-12	55W-25810-10	D-15	17F-28351-00-36	E-8	1A0-83980-30	B-2	90116-10378
D-9	34L-24161-10	D-12	55W-25831-00	D-14	34L-28368-00	E-8	10V-84115-00	C-15	90119-06063
D-10	168-24181-00	D-12	3AX-25845-00	D-14	34L-28368-10	E-8	233-84127-60	C-15	90119-06063
D-9	34L-24182-00	D-12	34L-25850-00	D-15	34L-81410-50	E-9	10V-84196-00	E-4	90149-05110
D-10	34L-24183-00	D-12	4L0-25852-00	E-4	34L-81410-50	E-9	10V-84198-00	D-12	90149-06011
D-9	34L-24184-00	D-12	4L0-25854-00	E-4	34L-81960-A0	E-15	34L-84303-F0	E-14	90149-06153
D-10	55W-24240-00	D-12	4L0-25862-00	E-4	43F-82110-60	E-15	34L-84321-F0	D-15	90149-06194
D-10	34L-24311-00	D-12	4L0-25867-00	E-4	2J2-82115-01	E-15	562-84324-A0	C-7	90149-08067
D-9	677-24444-00	D-13	55W-25872-00	E-4	4Y1-82122-00	E-15	562-84332-60	C-11	90151-06017
D-10	55W-24500-00	B-12	5R2-25917-00	D-14	5Y1-82180-00	E-15	198-84334-60	C-5	90152-06010
D-10	360-24512-00	B-12	55W-25919-00	D-14	5Y1-82180-00	E-15	34L-84346-00	E-14	90153-06042
D-9	4X8-24512-00	D-12	3AX-25926-00	D-15	34K-82310-51	E-15	2F9-84375-00	C-7	90158-06016
D-9	34L-24610-01	D-12	3AX-25937-00	D-14	371-82370-00	E-15	2F9-84397-01	E-12	90159-06033
D-10	55W-24731-00	D-12	34L-26111-00	D-14	5Y3-82501-80	E-15	1M8-84521-40	C-11	90159-06078
D-10	55W-24731-10	D-13	3R9-26141-00	E-4	34L-82530-00	F-2	3Y1-84524-00	B-15	90164-06017
D-7	55W-24770-00	D-13	3Y0-26142-00	E-4	2H7-82540-00	F-2	15A-84545-00	E-14	90170-06010
D-9	55W-24770-00	D-13	34L-26142-10	E-5	50T-82590-20	E-15	5Y3-84700-E0	B-7	90170-06128
D-10	55W-24830-00-98	D-13	336-26241-00	E-4	12R-82591-00	D-12	31L-84714-00	E-2	90170-10219
D-9	55V-24877-00	D-13	3Y1-26242-00	E-4	7F6-82591-00	E-14	5Y1-84717-00	B-6	90170-16343
D-10	34L-25104-00	D-14	5Y1-26249-00	E-4	5Y1-82911-01	E-14	4G1-84744-00	C-7	90170-20274
D-11	34L-25118-00-98	D-14	55V-26280-00	E-4	34L-83310-20	E-10	3G1-84730-01	C-7	90170-20327
D-9	322-25118-00	D-14	55V-26290-00	E-4	10V-83313-00	E-10	336-85132-00	D-14	90171-14020
D-10	5Y1-25151-00	E-2	43F-26302-01	E-4	5Y1-83313-00	E-10	34L-8553A-00	E-3	90171-16024
D-9	34L-25181-00	D-14	34L-26331-00	E-4	50T-83318-00	E-10	34L-85540-50	E-6	90175-06013
D-10	34L-25190-00	D-14	5Y1-26335-00	E-4	50T-83328-00	E-10	90101-06288	E-6	90176-08026
D-9	34L-25304-00	E-2	5Y1-26339-00	E-4	37A-83330-20	E-10	90101-06291	B-4	90179-06499
D-10	5Y1-26311-00-98	E-2	1E6-26342-00	E-4	34L-83350-20	F-2	90101-10308	D-15	90179-08148
D-10	146-26315-00	E-2	4N0-27114-00	E-4	18G-83365-00	F-2	90101-12498	B-4	90179-10201
D-10	5X4-26317-00	E-2	34L-27211-01-90	E-5	34L-83371-20	F-2	90105-07087	B-8	90179-10279
D-10	34L-26321-00-98	E-2	43F-27231-00	E-6	5Y1-83513-00	E-11	90105-08213	B-4	90179-14317
				E-6	5Y1-83520-00	E-11	90105-10286	B-5	90179-25033
				E-6	437-83525-00	E-11	90105-14102	C-13	90186-10060
				E-6				D-7	90186-10120



NUMERICAL INDEX

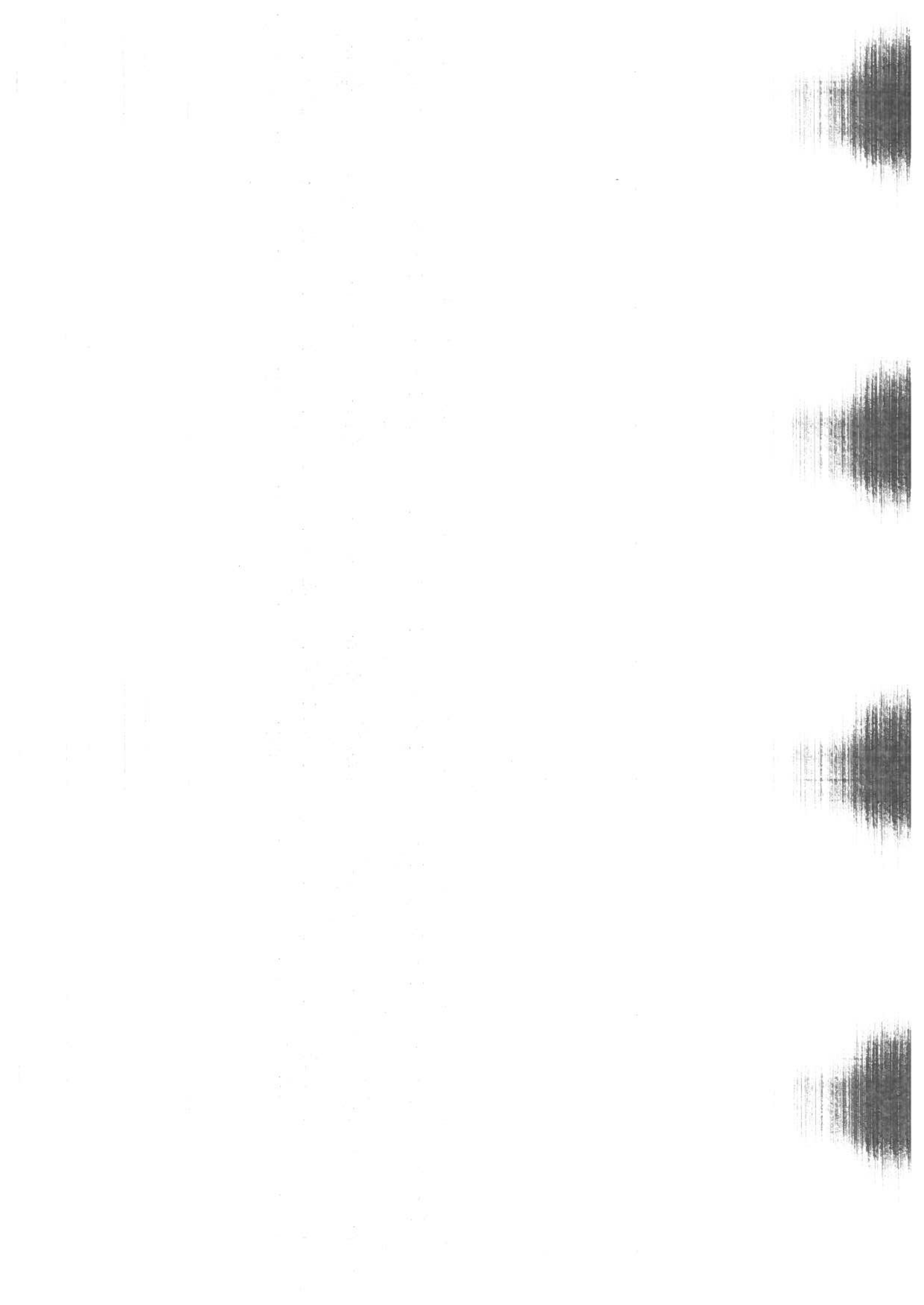
PART NO.	GRID NO.	PART NO.	GRID NO.	PART NO.	GRID NO.	PART NO.	GRID NO.	PART NO.	GRID NO.
90185-12080	D-6	90201-251F6	D-5	90387-175K6	E-3	90508-14524	C-6	91810-18016	B-4
90185-12119	D-4	90201-301F4	B-5	90387-17783	C-2	90508-14526	C-8	91830-22016	C-2
	D-5	90202-06010	E-7	90387-227H7	E-5	90508-18551	B-3		
90185-14070	D-5	90206-06060	B-15	90387-440G3	D-4	90508-20023	E-6	91830-24016	C-3
90201-044A2	E-13	90206-12075	B-7	90401-10034	E-4	90508-29527	C-11	93101-14092	E-15
90201-05033	E-11	90208-04029	D-7	90430-05126	B-9	90508-29629	C-12	93101-25106	B-6
90201-060H4	D-12	90209-06174	B-10	90430-06014	B-3	90508-32529	C-5	93102-07261	B-2
90201-06059	E-8	90209-06187	C-15	90430-06166	B-9	90508-32590	E-6	93102-10207	C-5
90201-06067	C-13	90209-10131	E-14	90430-08119	C-7	90560-15240	D-14	93102-11262	B-2
90201-061A5	B-8	90209-22191	C-9		D-2	91316-06012	B-10	93102-12106	B-3
	C-6	90209-34254	B-5	90430-08178	B-4		D-8		
	E-6	90215-16242	B-6		C-2	91316-06016	B-10		
90201-062AB	E-6	90215-20197	C-7	90430-10148	F-2		C-3	93102-17148	C-7
90201-062G3	E-13	90215-20231	C-7	90445-08782	E-15	91316-06018	B-2	93102-20108	C-5
90201-06336	C-15	90240-06009	E-7	90445-11753	D-2	91316-06020	B-11	93102-20281	D-14
90201-06674	E-9	90240-06040	E-6	90460-46206	B-11		C-3	93102-26226	C-9
	E-15	90240-14106	C-7	90460-51059	B-11	91316-06025	B-2	93102-30072	E-2
	E-14	90243-06016	E-6	90462-10107	C-3		C-3	93106-22019	D-4
90201-08083	E-14	90249-12008	E-6	90462-16102	C-3		B-4	93108-35004	B-9
90201-08100	C-15	90267-32070	C-15	90464-20064	D-8	91316-06030	B-7	93210-07136	B-9
90201-08326	B-15	90267-32072	D-5	90465-14192	D-8		C-2	93210-08521	C-2
90201-08609	B-4	90267-40076	E-13	90467-09006	D-12		B-2	93210-09350	B-9
90201-08750	B-4	90267-40078	C-13	90467-10008	D-2	91316-06035	C-3	93210-10197	B-9
90201-08730	D-2	90269-04003	D-7	90467-10039	B-11		B-2	93210-13361	B-9
90201-08753	C-14	90280-05013	B-5	90467-14015	C-2		C-3		
90201-100E9	D-5	90282-05013	B-6	90468-12006	D-7	91316-06040	B-2	93210-14104	E-11
90201-10118	E-4	90282-07042	C-7	90468-15009	E-4		C-2	93210-14369	B-2
90201-10124	B-4	90336-18038	C-5	90480-01141	D-2	91316-06045	C-2		
90201-10135	C-6	90340-14079	B-2	90480-10068	D-14	91316-06050	B-2	93210-14579	B-10
90201-10141	D-7		C-3		E-3		C-3		
90201-10430	D-5	90340-36078	C-3	90480-12053	B-10	91316-06055	B-2	93210-15171	B-10
90201-10590	B-4	90380-14095	D-4	90480-13197	D-10	91316-06060	C-2	93210-19522	B-2
90201-120A5	D-4	90380-14130	D-6		D-2	91316-06080	B-9	93210-21190	D-2
90201-12362	D-6	90380-22111	D-4	90480-13383	D-2	91316-06125	B-2	93210-22298	B-9
90201-12474	C-12	90386-20120	D-4	90480-14023	E-8	91401-16012	E-3	93210-32172	C-3
90201-13409	C-14	90386-20123	D-5	90480-14229	C-13	91401-16015	E-7	93210-36510	C-3
90201-140G9	D-4	90387-060A7	B-10	90480-15235	B-10	91401-16015	E-6	93210-36549	B-11
90201-14215	E-6		C-13	90480-16233	B-10	91401-20015	E-6	93210-62446	B-2
90201-14226	B-5	90387-063F7	C-11	90501-05378	B-9		E-7	93210-64297	B-9
90201-15238	D-5	90387-06500	D-2	90501-10245	E-6	91401-30020	E-6	93210-98473	B-4
90201-15701	C-5		E-5	90501-10312	E-14	91401-30025	D-6	93306-00426	C-9
90201-15785	D-14	90387-067F1	C-15	90501-12081	C-5	91401-30030	D-14	93306-00431	C-9
90201-17327	C-8		E-8	90501-16107	C-5		E-3	93306-20209	E-2
90201-20276	C-5	90387-085E1	C-14	90501-22721	B-5	91701-05055	E-3	93306-20310	E-2
	C-9	90387-121H1	D-5	90501-26148	C-7	91701-06022	E-6	93306-20316	E-2
90201-20279	E-7	90387-122J6	D-5	90507-20002	E-2	91701-08038	E-6	93306-30423	E-2
90201-20685	C-5	90387-152J3	D-14	90507-29009	E-7	91810-03014	B-2	93306-30525	B-6
90201-244A8	D-4	90387-16782	C-2	90508-14352	E-6	91810-05018	B-4	93306-30535	C-9
								93306-30540	C-9

L4

INDEX

PART NO.	GRID NO.	PART NO.	GRID NO.	PART NO.	GRID NO.
93306-30541	B-6	95302-05600	E-13	97801-03008	D-12
93306-30702	B-5	95302-06600	C-15	98501-04014	B-12
93310-634K2	B-5		E-13	98501-05010	B-12
93315-11720	C-7	95302-08600	C-15	98501-05020	D-7
93315-31732	D-4	95302-12700	E-10	98503-04010	B-13
93316-00503	C-11	95311-06700	C-6	98506-05012	E-12
93317-11020	C-7	95311-08600	D-11	98506-05016	B-11
93317-32231	D-4	95601-06100	E-14	98506-05020	E-14
93332-00008	D-7	95606-06100	E-14	98506-05030	E-14
93332-00023	D-7	95611-06620	B-2	98506-05035	E-14
93410-11002	B-9	95701-06500	D-4	98511-04012	E-10
93410-15005	C-5		E-15	98706-04012	E-4
93410-20009	C-5	95801-06010	F-2	98901-04006	B-13
	C-9	95801-06012	B-11	98906-06010	B-15
93410-20038	C-5		D-12	99001-09600	C-12
93440-12052	B-2	95801-06050	D-4	99001-10600	C-12
93440-25019	C-9	95801-08012	D-2	99009-10400	C-6
93440-48079	D-6	95806-06016	D-13		
93450-24028	B-5	95806-06030	C-15		
93503-08007	B-9	95806-06035	E-11		
93507-32009	C-5	95806-08030	C-15		
93515-32029	C-8	95811-08012	B-15		
93602-11144	D-6	95811-10100	C-13		
93604-10011	C-11	95816-08045	B-15		
93604-21193	D-6	95821-08020	B-15		
93604-26132	D-6	95821-10025	E-6		
93605-10090	B-5		E-7		
93608-33046	C-12	95822-08012	D-2		
93700-06004	D-5	95826-08035	D-7		
93700-06005	D-5	95826-08040	D-7		
94130-214F7	D-14	97301-06016	D-2		
94146-184F9	E-2		E-15		
94212-18188	E-2	97302-06025	E-13		
94227-21123	D-14	97306-06020	B-10		
94330-21084	D-14	97306-06022	E-14		
94340-18086	E-2	97306-06025	C-13		
94416-21367	D-14		E-8		
94425-18371	E-2	97306-08016	C-13		
94580-40102	E-3	97311-08030	C-5		
94590-27126	B-8	97311-10080	C-13		
94680-50011	E-3	97321-06014	C-9		
94701-00262	B-2	97321-06016	B-8		
95301-05600	D-7		C-5		
95301-06600	C-7	97322-06010	C-10		
	E-6	97326-06020	C-12		
95301-06700	E-5	97326-06025	E-4		
95301-06800	D-10	97701-40530	E-10		
95301-10700	D-7	97706-40506	B-11		

L5



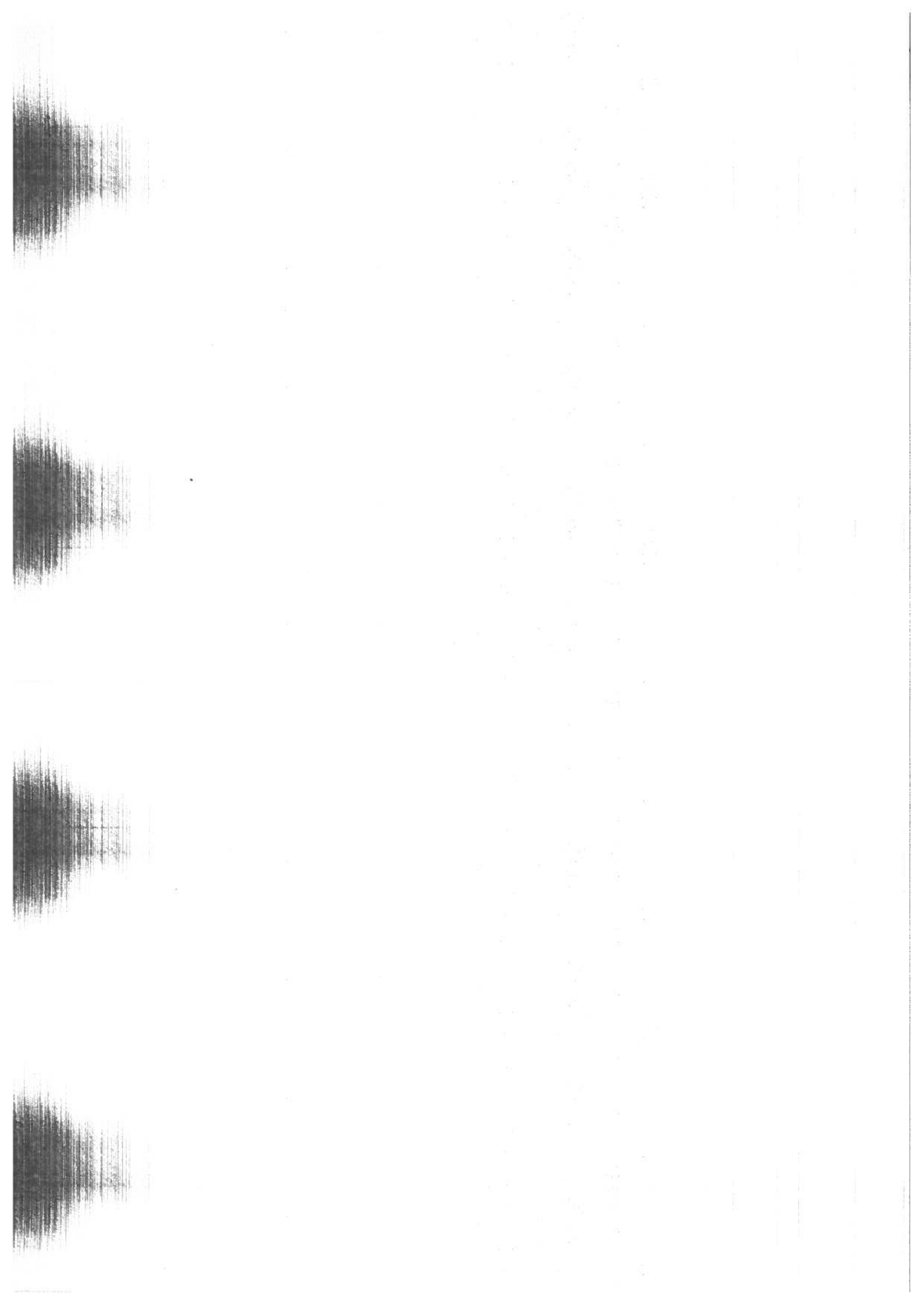
# **INDEX**

**(INDIVIDUAL SPEC.)**

NUMERICAL INDEX

PART NO.	GRID NO.	PART NO.	GRID NO.	PART NO.	GRID NO.	PART NO.	GRID NO.
5Y1-1410A-00	F-15	34L-14711-00	F-6	10V-84115-00	F-4	95816-08045	F-6
34K-14103-00	F-14	34K-14714-00	F-6	233-84127-60	F-4	97301-06008	F-10
43F-14105-00	F-14	34L-14728-00	F-6	457-84146-85	F-4	97701-40530	F-10
5Y1-14107-00	F-14	43F-14752-61	F-6	10V-84196-00	F-4	98501-04014	G-4
5Y1-14115-00	F-14	47N-14752-00	F-10	10V-84198-00	F-4	98501-05010	F-14
5Y1-14131-00	F-14	30X-14766-00	F-6	39E-84303-H0	F-4	98503-04010	F-15
5Y1-14137-00	F-15	583-14766-00	F-6	568-84321-H0	F-4	98508-05012	F-4
34K-14146-00	F-15	5Y1-14149-00	F-15	562-84324-A0	F-4	98508-05016	G-3
42U-14146-00	F-15	5Y1-14159-00	F-15	2F9-84397-01	F-4	98506-05030	F-12
5Y1-14148-00	F-15	34K-14197-00	F-14	4G1-84744-00	F-4	98511-04012	F-12
5Y1-14198-00	F-14	5Y1-14203-00	F-14	20G-85110-00	F-12		F-8
5Y1-14216-00	F-15	5Y1-14216-00	F-14	449-85131-01	G-4		F-12
5Y1-14286-00	F-15	43F-1490J-01	F-15	449-85131-02	G-8		G-4
5Y1-14293-01	F-15	34K-1490K-00	F-15	10V-85132-01	F-12	98901-04006	F-15
47N-14301-00	F-14	34L-14905-00	F-15	90109-125A2	F-12	98906-06010	F-6
34K-14305-00	F-15	34L-21510-00	F-7	90119-06056	G-3		F-10
5Y1-14312-55	F-14	34L-21510-10	F-7	90164-06017	F-6		F-6
47N-14320-00	F-15	50U-21510-00	G-3	90201-043H7	F-10		F-6
5Y1-14325-00	F-14	395-21521-00	G-3	90201-043H7	F-7		G-4
43F-14341-00	F-14	43F-21621-00	G-3	90201-044A2	G-3		F-15
43F-14342-23	F-14	34L-21685-10	G-3	90201-044A2	F-7		F-6
288-14343-65	G-2	43F-21685-00	F-11	90201-05651	G-3		F-6
5Y1-14343-63	G-2	34L-21691-00	F-7	90206-06060	F-6		F-10
5Y1-14343-65	G-2	677-24444-00	F-15	90267-40029	F-10		G-3
5Y1-14349-00	F-14	360-24512-00	F-14	90267-48113	F-7		G-3
5Y1-14355-00	F-15	55W-24734-00	F-15	90387-05679	G-3		G-3
5Y1-14356-00	F-15	55W-24734-10	F-11	90387-05715	G-3		G-3
5Y1-14357-00	F-14	3Y3-27315-00	F-7	90506-18224	F-7		F-7
5Y1-14377-00	F-15	50T-28351-00-G8	G-3	90506-26225	G-3		G-3
5Y1-14384-00	F-14	50T-28351-00-36	F-11	92901-04100	F-14		G-3
5Y1-14385-00	F-14	5Y3-83310-20	F-8	92906-05100	G-3		G-3
6E5-14386-01	F-14	5Y1-83312-00	F-12	92990-06100	F-6		F-10
5Y1-14396-00	F-14	5Y1-83536-00	G-4	94701-00241	F-14		F-14
5Y1-14397-00	F-14	43F-83570-G0	F-8	95302-05700	G-3		G-3
5Y1-14398-00	F-15	34L-83969-00	F-12	95702-05100	F-12		F-12
5Y1-14536-00	F-14						
5Y1-14556-00	F-15						
34K-14571-00	F-15						
5Y1-14572-00	F-15						
34K-14611-00	F-6						
34K-14628-00	F-10						

M2



COPY RIGHT: ALL RIGHTS RESERVED  
NO PART OF THIS PUBLICATION MAY BE  
REPRODUCED WITHOUT PERMISSION.



**YAMAHA**

YAMAHA MOTOR CO., LTD.  
2500 SHINGAI IWATA SHI SHIZUOKA-KEN JAPAN

PRINTED IN JAPAN  
First edition Nov., 1984

